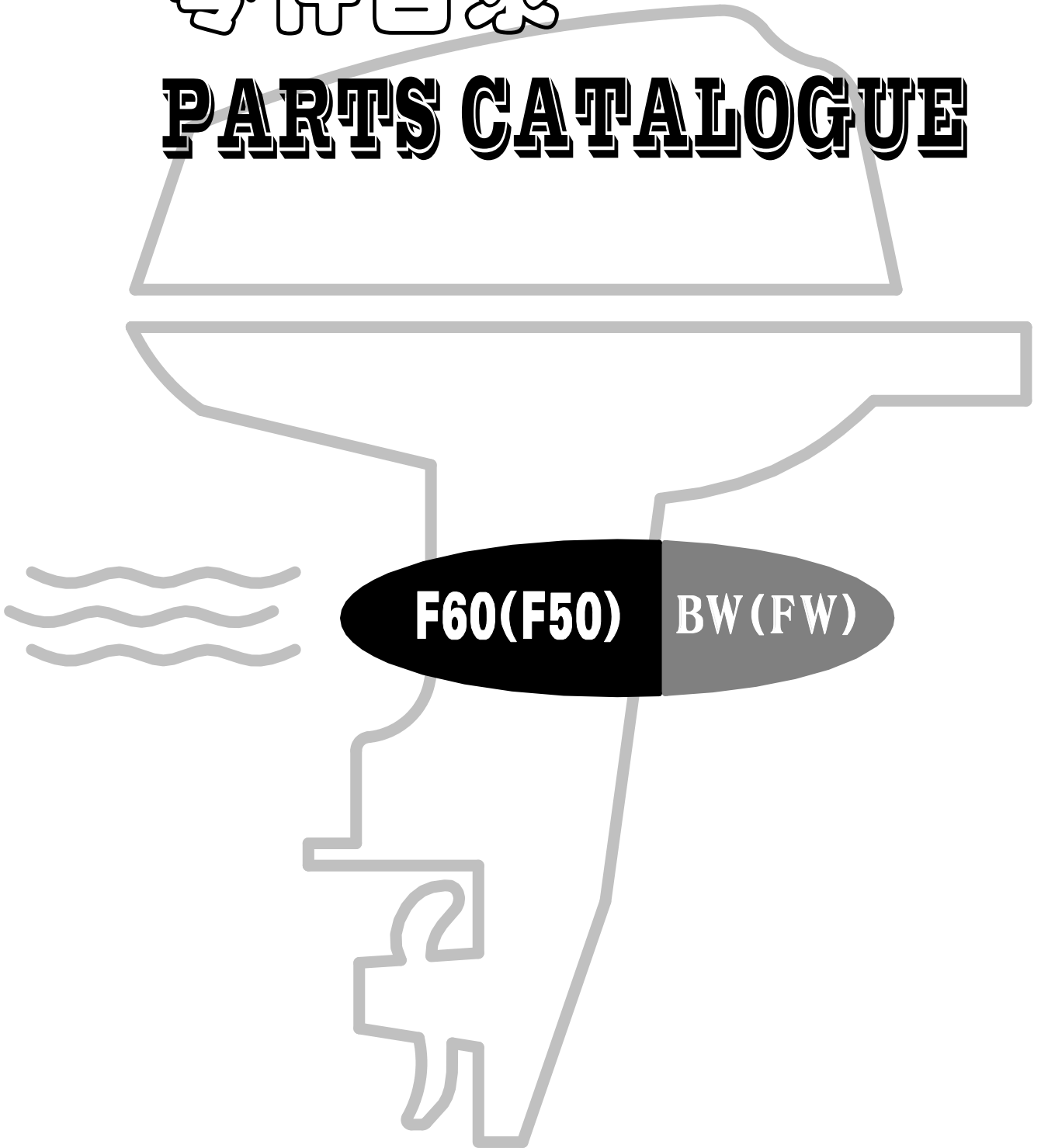




零件目录

**PARTS CATALOGUE**



苏州百胜动力机器股份有限公司

# 目录

## CONTENTS

托架-----	1 ~ 3
BRACKET-----	1 ~ 3
操舵系统-----	4 ~ 6
STEERING-----	4 ~ 6
水上装置壳体-----	7 ~ 8
UPPER CASING-----	7 ~ 8
油底壳组件-----	9 ~ 10
OIL PAN ASSY-----	9 ~ 10
底罩-----	11 ~ 13
BOTTOM COWLING-----	11 ~ 13
控制系统-----	14 ~ 15
CONTROL SYSTEM-----	14 ~ 15
水下装置壳体&驱动系统 1-----	16 ~ 18
LOWER CASING & DRIVE 1-----	16 ~ 18
水下装置壳体&驱动系统 2-----	19 ~ 20
LOWER CASING & DRIVE 2-----	19 ~ 20
电气 1-----	21 ~ 22
ELECTRICAL 1-----	21 ~ 22
电气 2-----	23 ~ 24
ELECTRICAL 2-----	23 ~ 24
电气 3-----	25 ~ 26
ELECTRICAL 3-----	25 ~ 26
进气系统-----	27 ~ 28
INTAKE-----	27 ~ 28
气缸头-----	29 ~ 30
CYLINDER HEAD-----	29 ~ 30
曲轴&活塞-----	31 ~ 32
CRANKSHAFT & PISTON-----	31 ~ 32
曲轴箱-----	33 ~ 34
CRANKCASE-----	33 ~ 34
油泵-----	35 ~ 36
OIL PUMP-----	35 ~ 36
阀门-----	37 ~ 38
VALVE-----	37 ~ 38
燃油系统-----	39 ~ 40
FUEL SYSTEM-----	39 ~ 40
电动燃油泵组件-----	41 ~ 42
ELECTRIC OIL PUMP ASSY-----	41 ~ 42
燃油共轨-----	43 ~ 44
FUEL COMMON RAIL-----	43 ~ 44

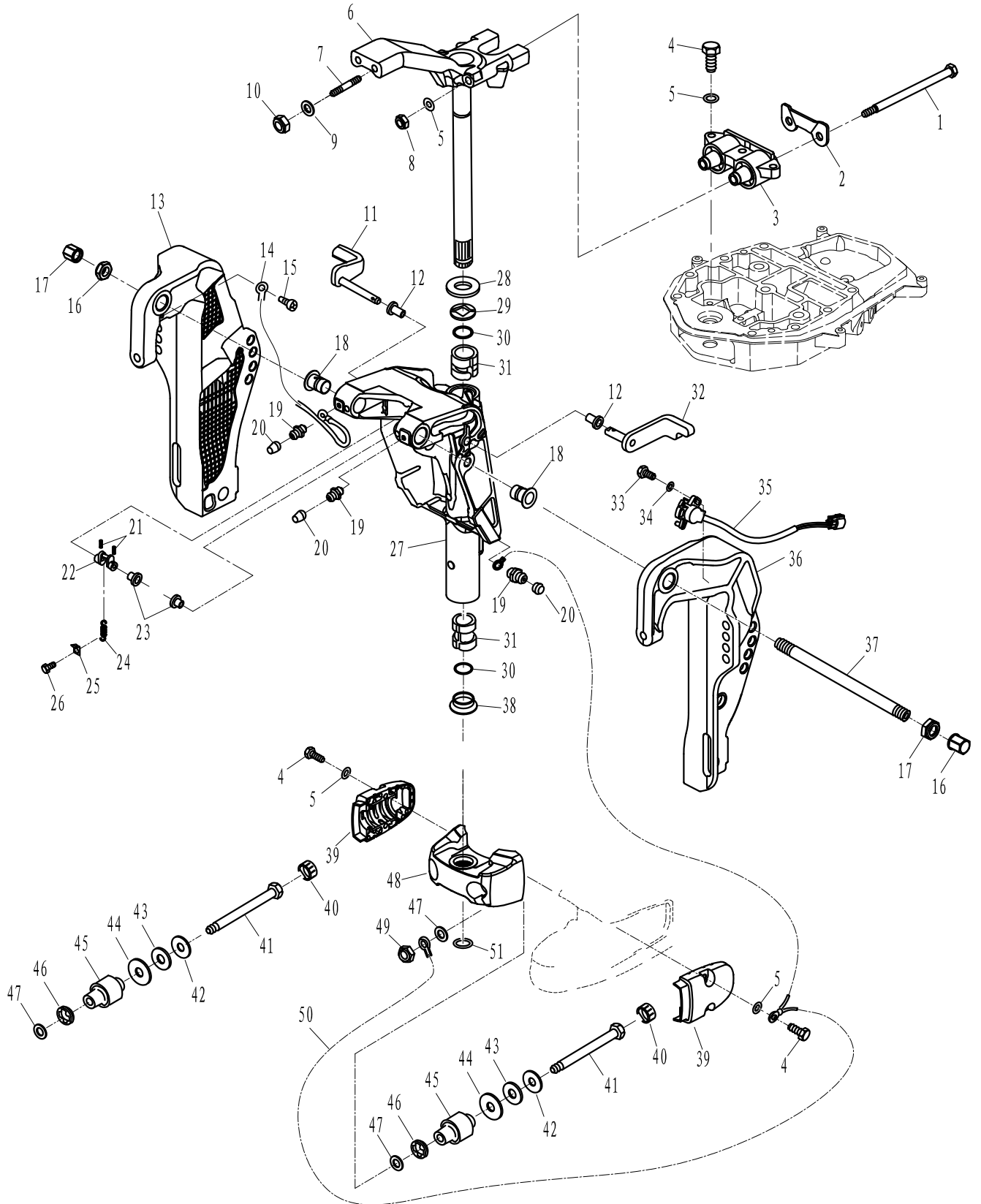
顶罩组件	45 ~ 46
TOP COWLING ASSY	45 ~ 46
液压起翘系统 1	47 ~ 48
HYDRAULIC TILT ASSY 1	47 ~ 48
液压起翘系统 2	49 ~ 51
HYDRAULIC TILT ASSY 2	49 ~ 51
手动起翘(手操)	52 ~ 53
MANUAL TILT (MANUAL CONTROL)	52 ~ 53
转向连杆组件	54 ~ 55
LINK ROD ASSY	54 ~ 55
操纵盒组件	56 ~ 58
CONTROL BOX ASSY	56 ~ 58
外燃油箱	59 ~ 60
OUTER FUEL TANK	59 ~ 60
发动机头组件(修理件)	61 ~ 62
ENGINE ASSY (REPAIR KIT)	61 ~ 62
气缸头总成(修理件)	63 ~ 64
CYLINDER HEAD ASSY (REPAIR KIT)	63 ~ 64
附录1(修理件)	65 ~ 66
APPENDIX 1 (REPAIR KIT)	65 ~ 66
附录2(修理件)	67 ~ 68
APPENDIX 2 (REPAIR KIT)	67 ~ 68
零件目录检索表	I ~ V
PARTS CATALOGUE INDEX	I ~ V

零部件名称:

托架

PARTS NAME:

BRACKET



零部件名称:

托架

PARTS NAME:

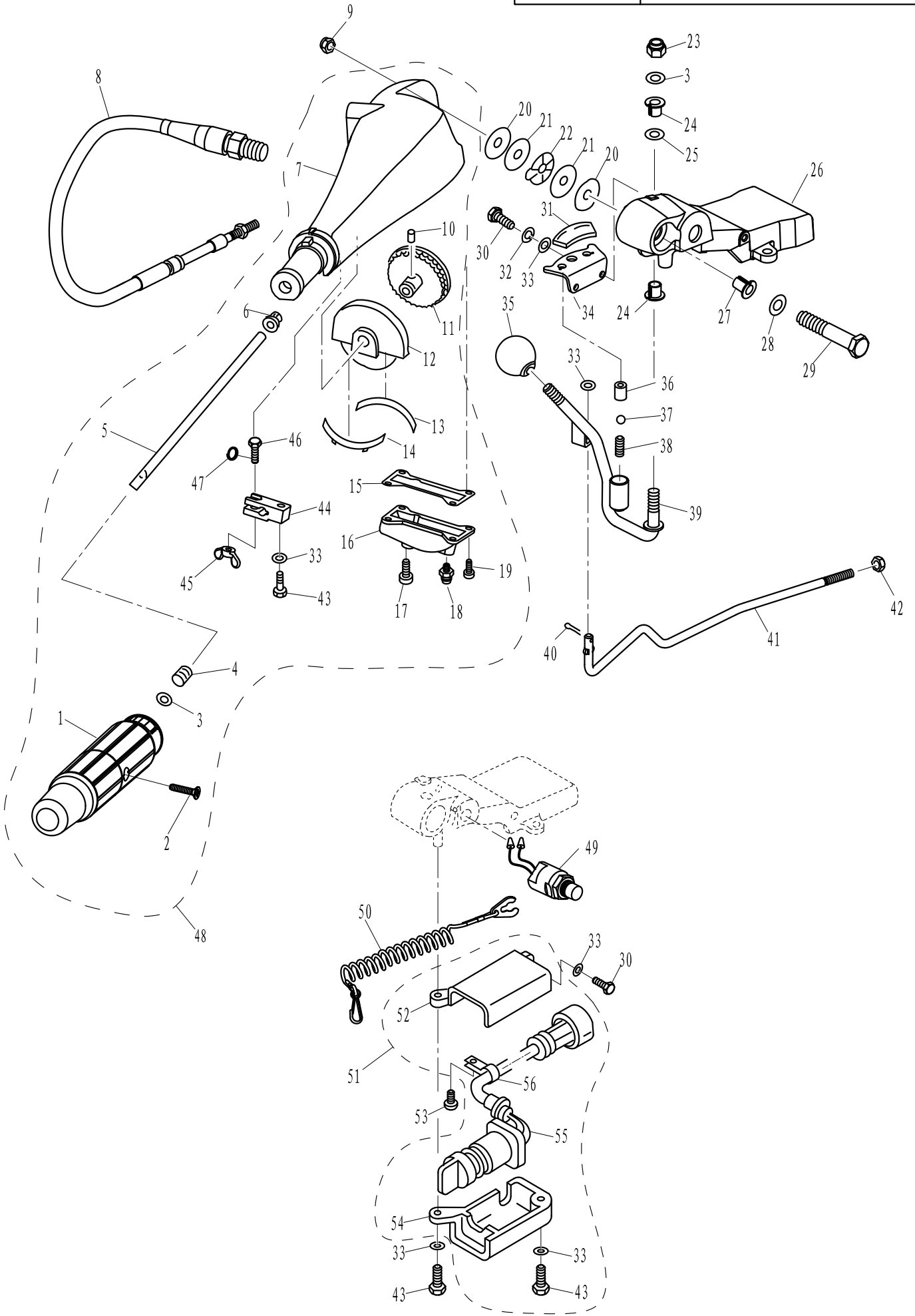
BRACKET

SN. 参照号码	PART NO. 零件编号	DESCRIPTION 零件名称(中文)	DESCRIPTION 零件名称(英文)	QTY 数量					REMARKS 备注
1	F60-02000011	长螺栓	LONG BOLT	2					
2	F60-02000010	减震器垫板	PLATE, ABSORBER	1					
3	F60-02020000	双孔减震器组件	SHOCK ABSORBER ASSY, DOUBLE HOLE	1					
4	GB/T5783-M8x30	六角螺栓 M8x30	BOLT M8x30	7					
5	GB/T97.1-8	平垫圈8	WASHER 8	9					
6	F60-01020000	操舵托架组件	BRACKET ASSY	1					
7	T85-01020008	双头螺栓 M10x1.25x28	BOLT M10x1.25x28	2					
8	GB/T889.1-M8x1.25	I型非金属嵌件六角锁紧螺母M8x1.25	LOCK NUT M8x1.25	2					
9	GB/T97.1-10	平垫圈10	WASHER 10	2					
10	GB/T889.2-M10x1.25	I型非金属嵌件六角锁紧螺母M10x1.25	LOCKNUT M10x1.25	2					
11	F60-01010104	支撑架组件B	SUPPORTING ASSY B	1					
12	T85-01010203	支撑架尼龙衬套	BUSH, NYLON	2					
13	F60-01010002	夹紧托架(右)	BRACKET, CLAMP (RIGHT)	1					
14	T85-01010003	接地钢索A	WIRE, LEAD A	1					
15	GB/T818-M6x10	十字槽盘头螺钉 M6x10	SCREW M6x10	1					
16	F15-01010007	托架夹紧螺母	NUT	2					
17	F25-01010011	塑料装饰螺母	PLASTIC NUT	2					
18	F60-01010004	螺管尼龙衬套	BUSH, NYLON	2					
19	JB/T9740.1-M6	直通式压注油杯 M6	NIPPLE, GREASE	3					
20	T85-01010210	油杯胶帽	CAP, GREASE NIPPLE	3					
21	GB/T879.2-3x16	轻型直槽弹性圆柱销3x16	PIN, SPRING	2					
22	T85-01010206	支撑架摆杆组件	COLLAR, DISTANCE	1					
23	F60-01010103	支撑架尼龙衬套	BUSH, NYLON	2					
24	T85-01010207	摆杆拉簧	SPRING	1					
25	T85-01010208	拉簧支架	PLATE	1					
26	GB/T5783-M6x10	六角螺栓M6x10	BOLT M6x10	1					
27	F60-01010101	旋转支架	BRACKET	1					
28	T85-01020002	旋转支架上垫圈	WASHER	1					
29	T85-01020003	旋转支架上衬套	BUSH	1					
30	T85-01020004	旋转支架O形圈	O-RING	2					
31	T85-01020005	旋转支架衬套	BUSH	2					
32	F60-01010102	支撑架组件A	SUPPORTING ASSY A	1					
33	GB/T5783-M6x20	六角螺栓 M6x20	BOLT M6x20	2					
34	GB/T97.1-6	平垫圈 6	WASHER 6	2					
35	F60-01010200A	起翘传感器组件	RAISE SENSOR ASSY	1					
36	F60-01010001	夹紧托架(左)	BRACKET, CLAMP (LEFT)	1					
37	F60-01010003A	夹紧托架双头螺管	DOUBLE-EDGED TUBE	1					
38	T85-01020006	旋转支架下衬套	BUSH	1					
39	F60-00000005	减震器外盖	COVER, ABSORBER	2					
40	F60-00000004	螺母护盖	NUT COVER	2					
41	F60-00000001	减震器螺钉	BOLT, ABSORBER	2					
42	T85-00000002	螺栓垫圈A	WASHER A	2					
43	T36-02020003	橡胶垫片	RUBBER WASHER	2					



零部件名称: 操舵系统(手操)

PARTS NAME: STEERING (MANUAL CONTROL)



零部件名称: 操舵系统(手操)

PARTS NAME: STEERING( MANUAL CONTROL )

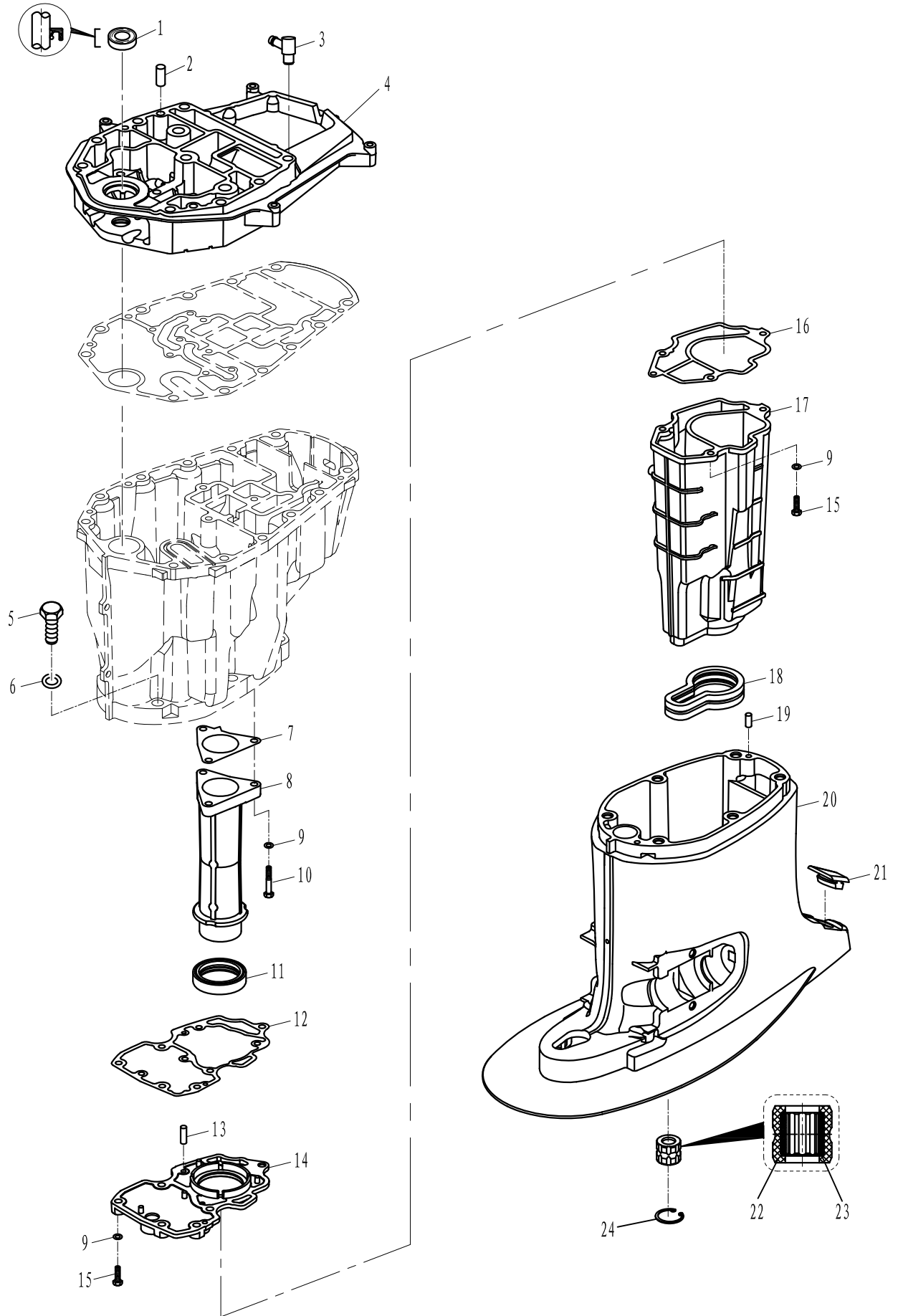
SN. 参照号码	PART NO. 零件编号	DESCRIPTION 零件名称(中文)	DESCRIPTION 零件名称(英文)	QTY 数量					REMARKS 备注
1	F4-01090300	操舵手柄塑胶套组件	STEERING HANDLE ASSY	1					
2	GB/T820-M5x25	十字槽半沉头螺钉 M5x25	SCREW M5x25	1					
3	GB/T848-10	小垫圈 10	WASHER 10	2					
4	F4-01090007	压缩弹簧	SPRING, COMPRESION	1					
5	T60-01030101	节气门杆芯轴	THROTTLE LEVER	1					
6	F4-01090006	衬套	BUSH	1					
7	T60-01030001	操舵手柄	HANDLE, STEERING	1					
8	F60-01030100	油门推拉索组件	THROTTLE CABLE ASSY	1					
9	GB/T889. 2-M12x1. 25	非金属嵌件六角锁紧螺母 M12x1. 25	NUT, SELF-LOCKING M12x1. 25	1					
10	GB/T879. 4-3x16	标准型卷制弹性圆柱销 Φ3x16	PIN Φ3x16	1					
11	T85-01030102	节气门杆齿轮组件	GEAR ASSY, THROTTLE LEVER	1					
12	T85-01030002	齿轮盖板	HOUSING, GEAR	1					
13	T85-01030002-1	齿轮盖板嵌件A	WEDGE A, HOUSING	1					
14	T60-01030002	齿轮盖板嵌件B	WEDGE B, HOUSING	1					
15	T85-01030005	盖板密封垫	GASKET	1					
16	T60-01030003	节气门盖板	COVER, THROTTLE	1					
17	GB/T818-M6x6	十字槽盘头螺钉 M6x6	SCREW, PAN HEAD M6x6	1					
18	JB/T9740. 1-M6	直通压注式油杯M6	NOPPLE, GREASE	1					
19	GB/T818-M5x12	十字槽盘头螺钉 M5x12	SCREW, PAN HEAD M5x12	4					
20	T85-01030015	手柄减磨圈	ANTIFRICTION RING, HANDLE	2					
21	T85-01030016	手柄垫圈	WASHER, HANDLE	2					
22	T85-01030017	手柄波形垫圈	WAVE WASHER, HANDLE	1					
23	GB/T889. 2-M10x1. 25	非金属嵌件六角锁紧螺母M10x1. 25	SELF-LUCKING NUT M10x1. 25	1					
24	T85-01030007	变档手柄尼龙衬套	BUSH, NYLON	2					
25	F25-01010009	尼龙垫圈	WASHER, NYLON	1					
26	T85-01030301	手柄托架	BARCKET	1					
27	T85-01030013	手柄托架尼龙衬套	BUSH	1					
28	GB/T97. 1-12	平垫圈 12	WASHER 12	1					
29	T85-01030014	托架螺栓 M12x1. 25x70	BOLT M12x1. 25x70	1					
30	GB/T5783-M6x16	六角螺栓 M6x16	BOLT M6x16	3					
31	T85-01030012	档位标牌	INDICATOR, SHIFT	1					
32	GB/T93-6	弹性垫圈 6	WASHER, SPRING	2					
33	GB/T97. 1-6	平垫圈 6	WASHER 6	7					
34	T85-01030011A	变档档位板	CAM PLATE, HANDLE	1					
35	JB/T7271. 1-M10x32	手柄球 M10x32	BALL M10x32	1					
36	T85-01030010	变档弹簧导向套	GUIDE SLEEVE, SPRING	1					
37	GB/T308-12	钢珠 12	BALL 12	1					
38	T85-01030009	变档手柄弹簧	SPRING	1					
39	T85-01030500	变档手柄组件	HANDLE ASSY, GEAR SHIFT	1					
40	GB/T91-2x12	开口销 Φ2x12	PIN Φ2x12	1					
41	F60-01030019	变档连接杆	CONNECTING ROD	1					
42	E4-06000009	六角螺母10-32-UNF-2B	NUT 10-32-UNF-2B	1					
43	GB/T5783-M6x25	六角螺栓 M6x25	BOLT M6x25	3					





零部件名称: 水上装置壳体

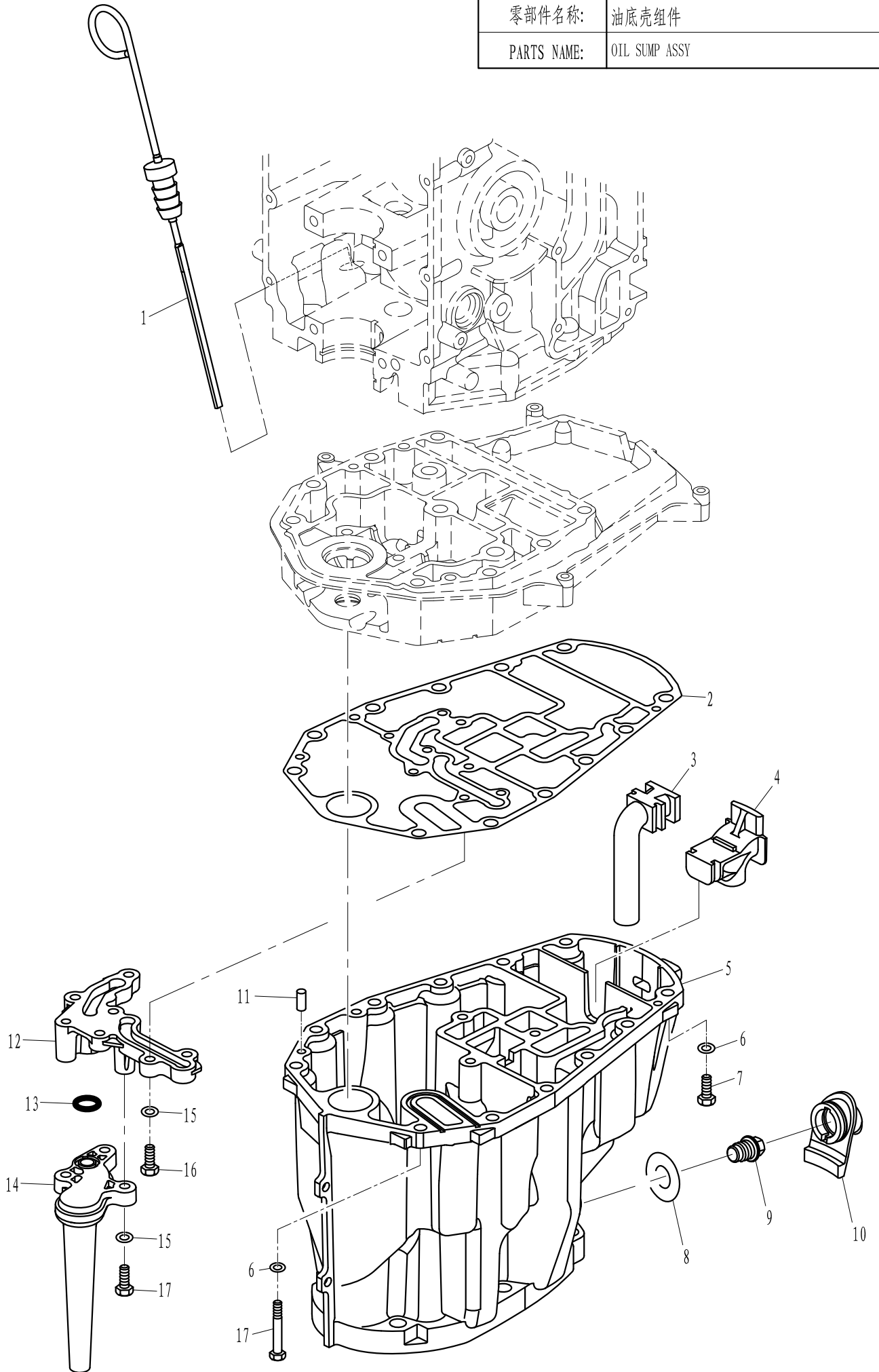
PARTS NAME: UPPER CASING





零部件名称: 油底壳组件

PARTS NAME: OIL SUMP ASSY



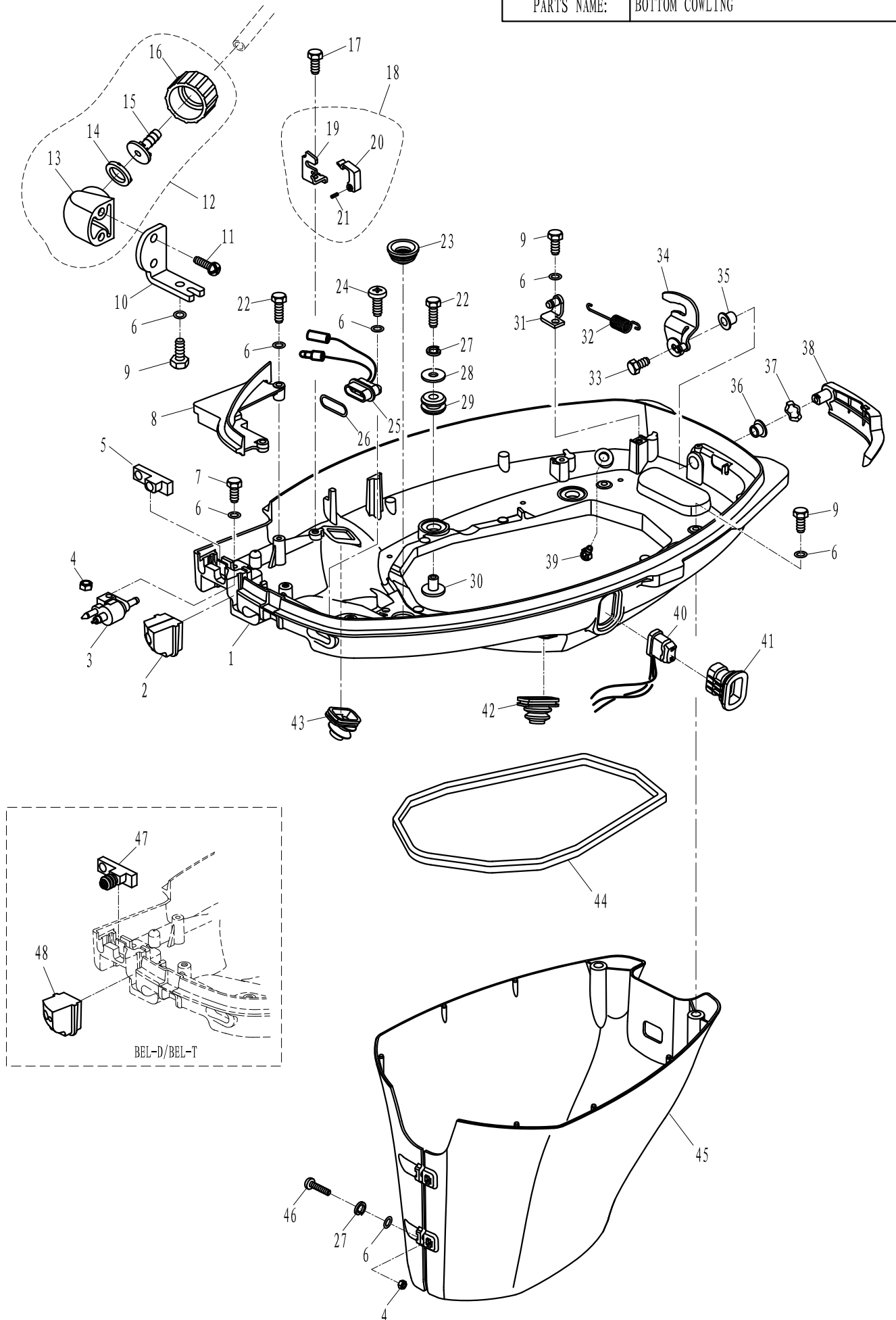


零部件名称:

底罩

PARTS NAME:

BOTTOM COWLING



零部件名称:

底罩

PARTS NAME:

BOTTOM COWLING

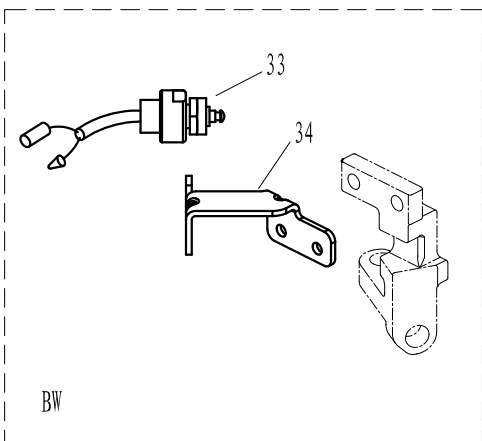
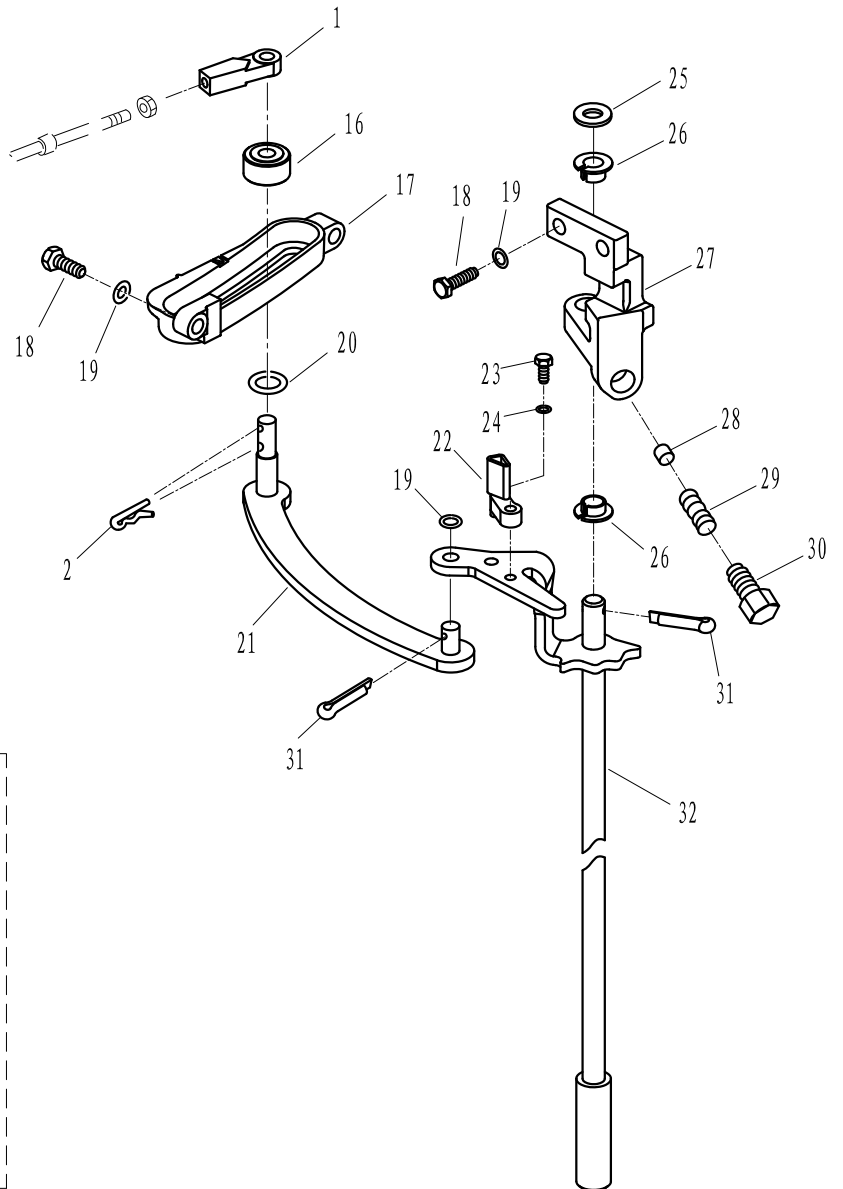
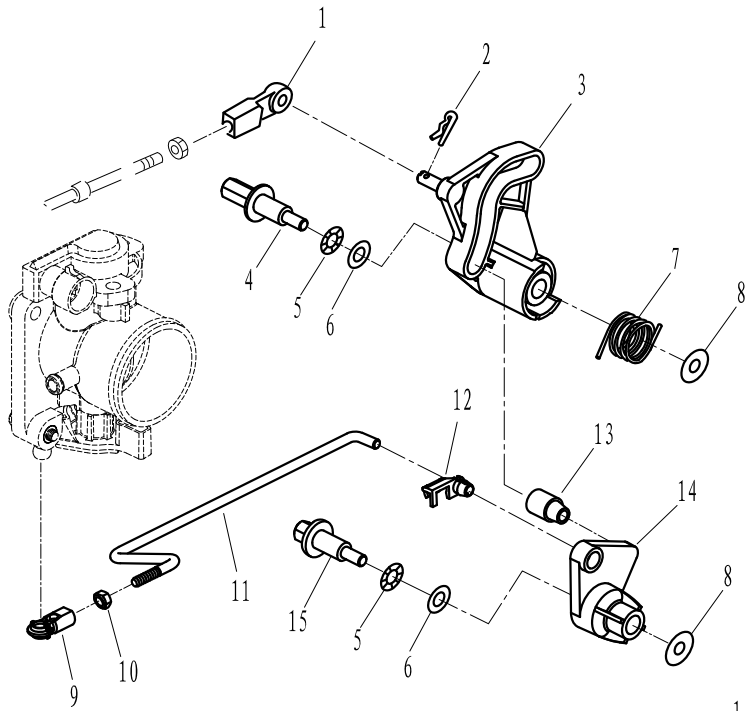
SN. 参照号码	PART NO. 零件编号	DESCRIPTION 零件名称(中文)	DESCRIPTION 零件名称(英文)	QTY 数量					REMARKS 备注
1	F60-03000001	底罩	BOTTOM COWLING	1					
2	F60-03000006FW	异形橡胶闷头	RUBBER PLUG, ABNORMAL	1					
3	F4-05000200	燃油管接头组件	FUEL CONNECTOR ASSY	1					
4	GB/T6170-M6	六角螺母 M6	NUT M6	3					
5	F60-03000005FW	橡胶挡板	BAFFLE BOARD, RUBBER	1					
6	GB/T97.1-6	平垫圈6	WASHER 6	10					
7	GB/T5783-M6x25	六角螺栓 M6x25	BOLT M6x25	1					
8	F60-03000003	底罩小盖板	COVER BOARD, BOTTOM COWLING	1					
9	GB/T5783-M6x20	六角螺栓 M6x20	BOLT M6x20	4					
10	F25-03000023W	堵塞支架	BRACKET, JAM	1					
11	GB/T845-ST5.5x19	十字槽盘头自攻螺钉 ST5.5x19	SCREW ST5.5x19	2					
12	F25-03000100W	水管堵塞组件	JAM ASSY	1					
13	F25-03000101W	堵塞本体	JAM	1					
14	F25-03000102W	堵塞橡胶圈	RUBBER RING, JAM	1					
15	F25-03000103W	堵塞接头	JOINT, JAM	1					
16	F25-03000104W	堵塞螺母	NUT, JAM	1					
17	GB/T5783-M6x14	六角螺栓 M6x14	BOLT M6x14	1					
18	F60-03000300	钢索固定架组件	FIXED FRAME ASSY, TIGHTWIRE	1					
19	F60-03000301	钢索固定架	FIXED FRAME, TIGHTWIRE	1					
20	F20-03000202W	推拉索锁夹	CLAMP	1					
21	GB/T879.2-3x12	轻型直槽弹性圆柱销 $\phi$ 3x12	PIN $\phi$ 3x12	1					
22	GB/T5783-M6x30	六角螺栓 M6x30	BOLT M6x30	6					
23	F60-03000008	波纹橡胶套	SHEATH, WAVE	1					
24	GB/T823-M6x12	十字槽小盘头螺钉 M6x12	SCREW M6x12	1					
25	F40-03000300EFI	指示灯组件	PILOT LAMP ASSY	1					
26	F20-03000101	指示灯密封件	SEAL, PILOT LAMP	1					
27	GB/T93-6	弹簧垫圈 6	SPRING-WASHER 6	6					
28	F25-00000004	特大垫圈 6	BIG WASHER 6	4					
29	F25-03000006	减震圈	DAMPER	4					
30	F25-03000007	减震圈垫管	BUSHING, DAMPER	4					
31	F25-03000019	拉簧支架组件	BRACKET ASSY, TENSIONAL SPRING	1					
32	F15-05000026	锁紧块拉簧	SPRING, TENSION	1					
33	GB/T5783-M6x12	六角螺栓 M6x12	BOLT M6x12	1					
34	F25-03020000	顶罩锁紧块组件	LOCKING ASSY, TOP COWLING	1					
35	F15-05000036	顶罩锁紧手柄尼龙套B	BUSHING B	1					
36	F15-05000022	顶罩锁紧手柄尼龙套A	BUSHING A	1					
37	F15-05000023	波形垫圈	WASHER, WAVE	1					
38	F60-03000100	顶罩锁紧手柄组件	LOCKING ASSY, TOP COWLING	1					
39	F15-05000009	塑料出水嘴	WATER NIPPLE, PLASTIC	1					
40	F40-03000600W	起翘开关组件	SWITCH ASSY, TILT	1					
41	F40-03000008	起翘开关护套	JACKET, TILT SWITCH	1					
42	T85-03000004	电源线护套	JACKET, BATTERY LINE	1					
43	F25-03000022W	水管波纹护套	JACKET, WAVE	1					





零部件名称: 控制系统

PARTS NAME: CONTROL SYSTEM



BW

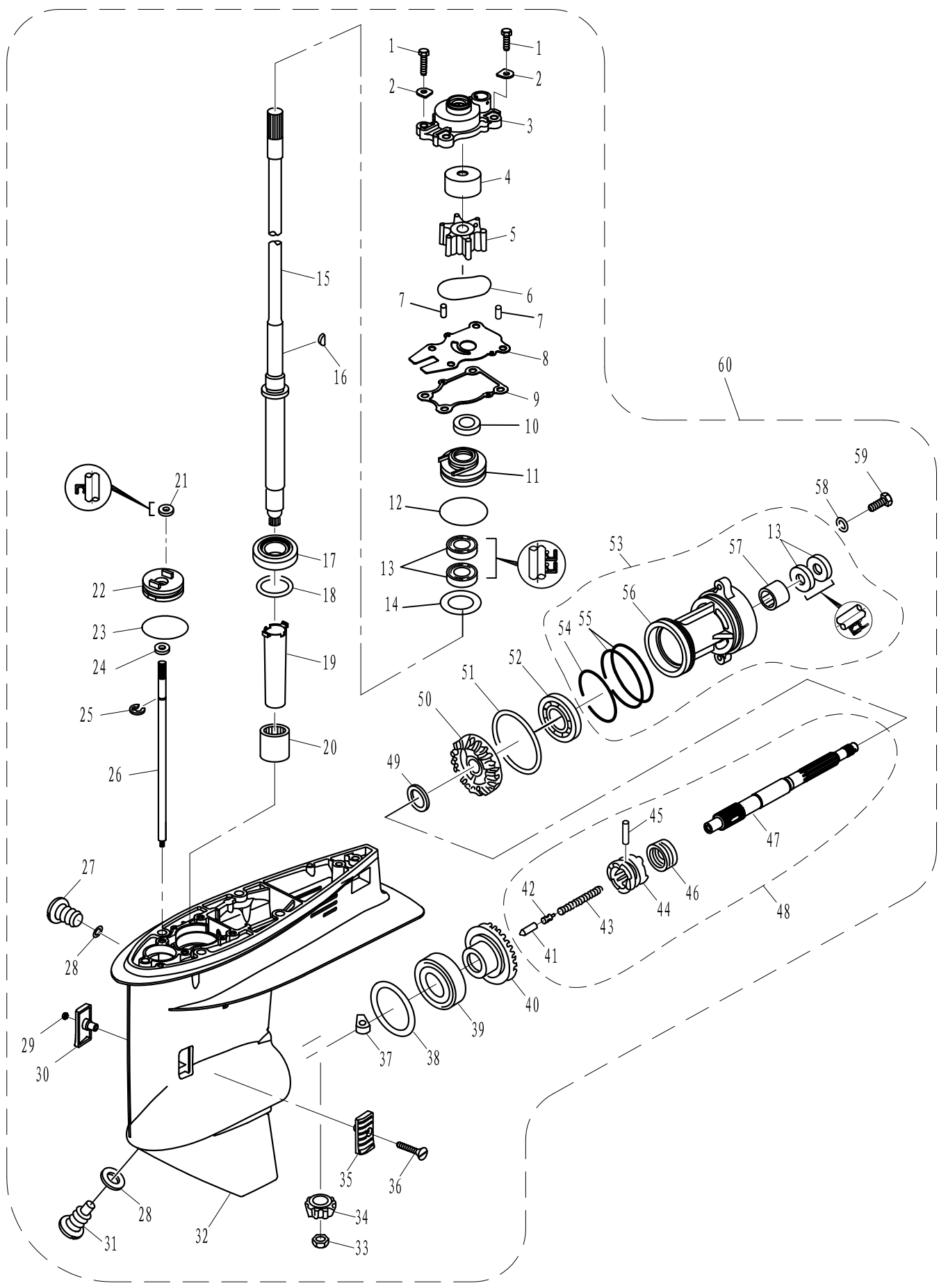


零部件名称:

水下装置壳体 & 驱动系统 I

PARTS NAME:

LOWER CASING & DRIVE I



零部件名称:

水下装置壳体 &amp; 驱动系统 I

PARTS NAME:

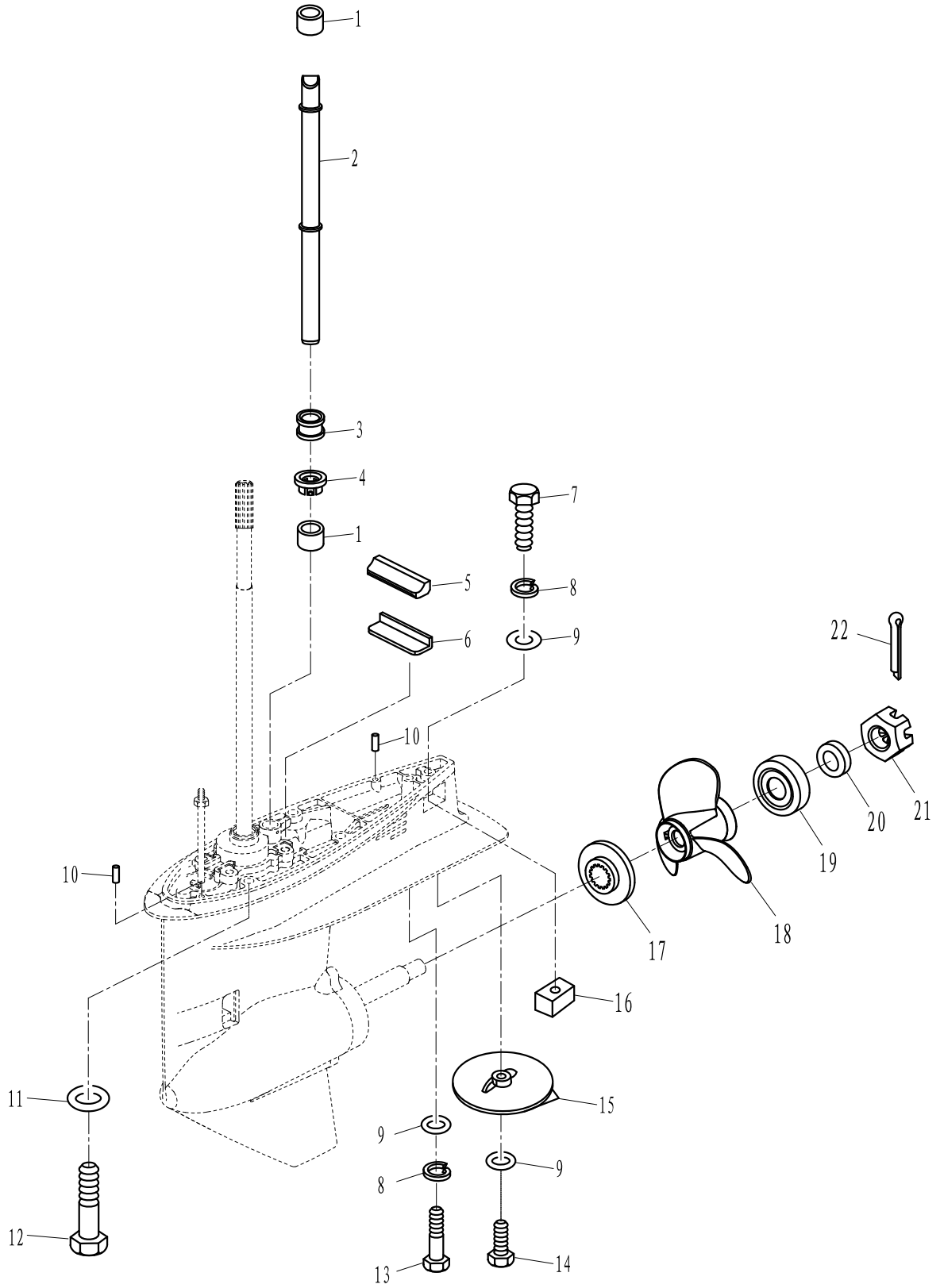
LOWER CASING &amp; DRIVE I

SN. 参照号码	PART NO. 零件编号	DESCRIPTION 零件名称 (中文)	DESCRIPTION 零件名称 (英文)	QTY 数量				REMARKS 备注
1	GB/T5783-M8x30	六角螺栓 M8x30	BOLT M8x30	4				
2	T40-04000012	水泵壳体压板	PLATE, WATER PUMP	4				
3	F60-04000401	水泵壳体	SHELL , WATER PUMP	1				
4	T40-04000202	水泵内壳	INNER SHELL, WATER PUMP	1				
5	F60-04000300	水泵叶轮组件	IMPELLER ASSY, WATER PUMP	1				
6	T40-04000205	壳体O形密封圈	O-RING	1				
7	F25-04000007	定位销Φ4x10	DOWEL PIN Φ4x10	2				
8	F60-04000009	外挡板	OUTER PLATE	1				
9	T40-04000010	水泵座密封垫	GASKET , WATER PUMP	1				
10	F60-04000008	油封盖	COVER , OIL SEAL	1				
11	T40-04040001	油封壳体A	CASING A, OIL SEAL	1				
12	JASO-F404-24-50	油封壳体A O型密封圈	O-RING, CASING A	1				
13	F25-04010003	驱动轴油封22x36x6	OIL SEAL 22x36x6	4				
14	T40-04000008	大垫圈	BIG WASHER	1				
15	F60-04010000	驱动轴组件	DRIVE SHAFT ASSY	1				
16	F25-04000015	半圆键	WOODRUFF KEY	1				
17	T40-04000027	驱动轴圆锥滚子轴承 32005	BEARING 32005	1				
18	T40-04000003	驱动轴填隙片	SHIM					
	T40-04000003-1	填隙片 (T = 0.10毫米)	SHIM (T = 0.10mm)					
	T40-04000003-2	填隙片 (T = 0.12毫米)	SHIM (T = 0.12mm)					
	T40-04000003-3	填隙片 (T = 0.15毫米)	SHIM (T = 0.15mm)					
	T40-04000003-4	填隙片 (T = 0.18毫米)	SHIM (T = 0.18mm)					
	T40-04000003-5	填隙片 (T = 0.30毫米)	SHIM (T = 0.30mm)					
	T40-04000003-6	填隙片 (T = 0.40毫米)	SHIM (T = 0.40mm)					
	T40-04000003-7	填隙片 (T = 0.50毫米)	SHIM (T = 0.50mm)					
19	T40-04000002	长尼龙套管	BUSHING, NYLON	1				
20	T40-04000026	滚针轴承 B 1416	BEARING B 1416	1				
21	T85-04000011	变档凸轮油封9x19x5	OIL SEAL 9x19x5, CAM SHAFT	1				
22	F60-04000101	变档凸轮盖板	PLATE, CAM SHAFT	1				
23	JASO-F404-31-035	O型密封圈34.4x3.1	O-RING 34.4x3.1	1				
24	JASO-F404-19-007	O型密封圈6.8x1.9	O-RING 6.8x1.9	1				
25	GB/T896-8	开口挡圈 8	CIRCLIP 8	1				
26	F60-04000004	变档凸轮轴	CAMSHAFT	1				
27	F4-03000023	注油孔螺塞	PLUG, HOLE OIL	1				
28	F4-03000024	注油孔螺塞垫	GASKET	2				
29	GB/T889.1-M5	非金属嵌件六角锁紧螺母M5	LOCKING NUT M5	1				
30	T40-04000023	进水口B	WATER INLET B	1				
31	F25-04000031	放油螺塞	PLUG, OIL RELEASE	1				
32	F60-04000001	水下装置壳体	LOWER CASING	1				
33	T40-04000006	小齿轮螺母M12X1.25	NUT, PINION	1				
34	F60-04000002	小齿轮	PINION	1				
35	T40-04000022	进水口A	WATER INLET A	1				
36	GB/T820-M5x30	十字槽半沉头螺钉 M5x30	SCREW, PAN HEAD M5x30	1				



零部件名称: 水下装置壳体和驱动系统 2

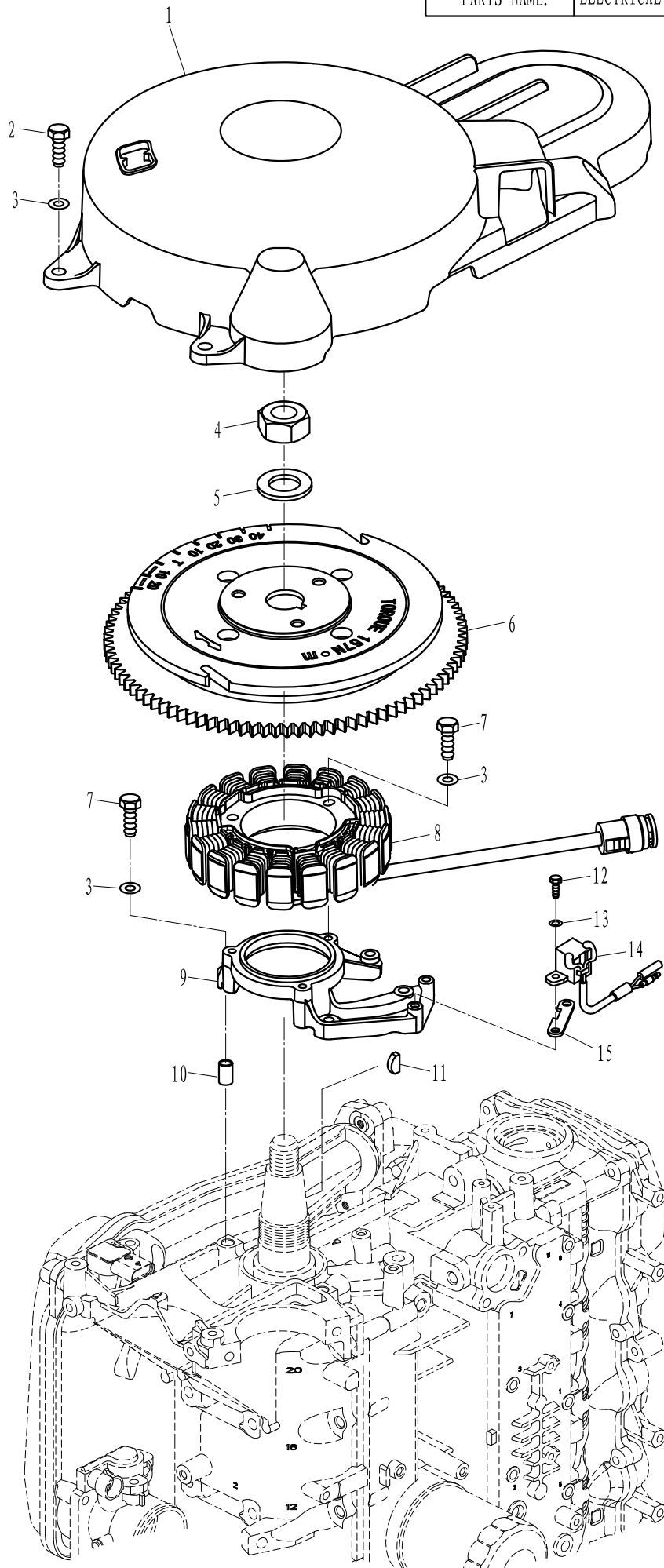
PARTS NAME: LOWER CASING & DRIVE 2





零部件名称: 电气 1

PARTS NAME: ELECTRICAL 1

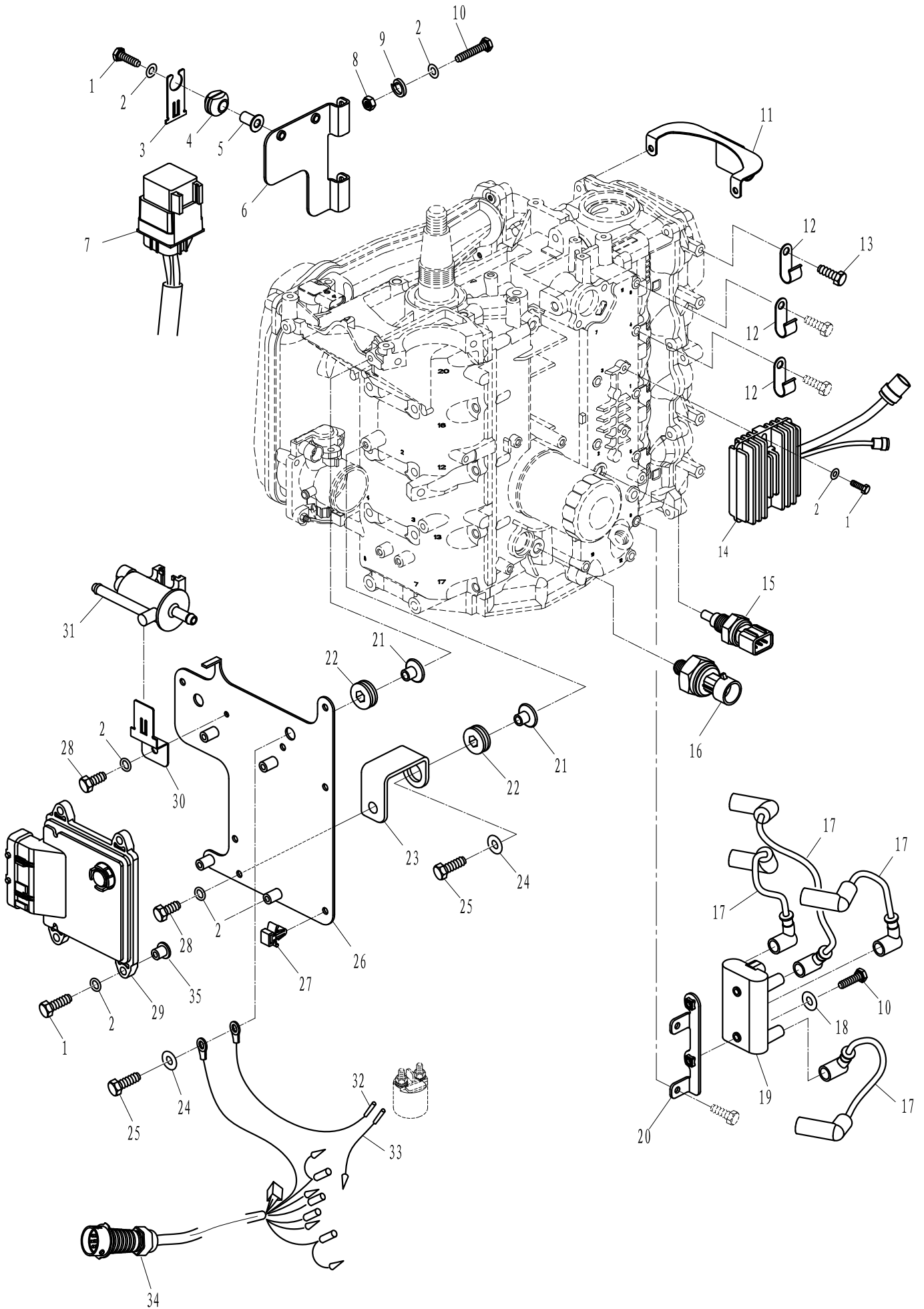






零部件名称: 电气 2

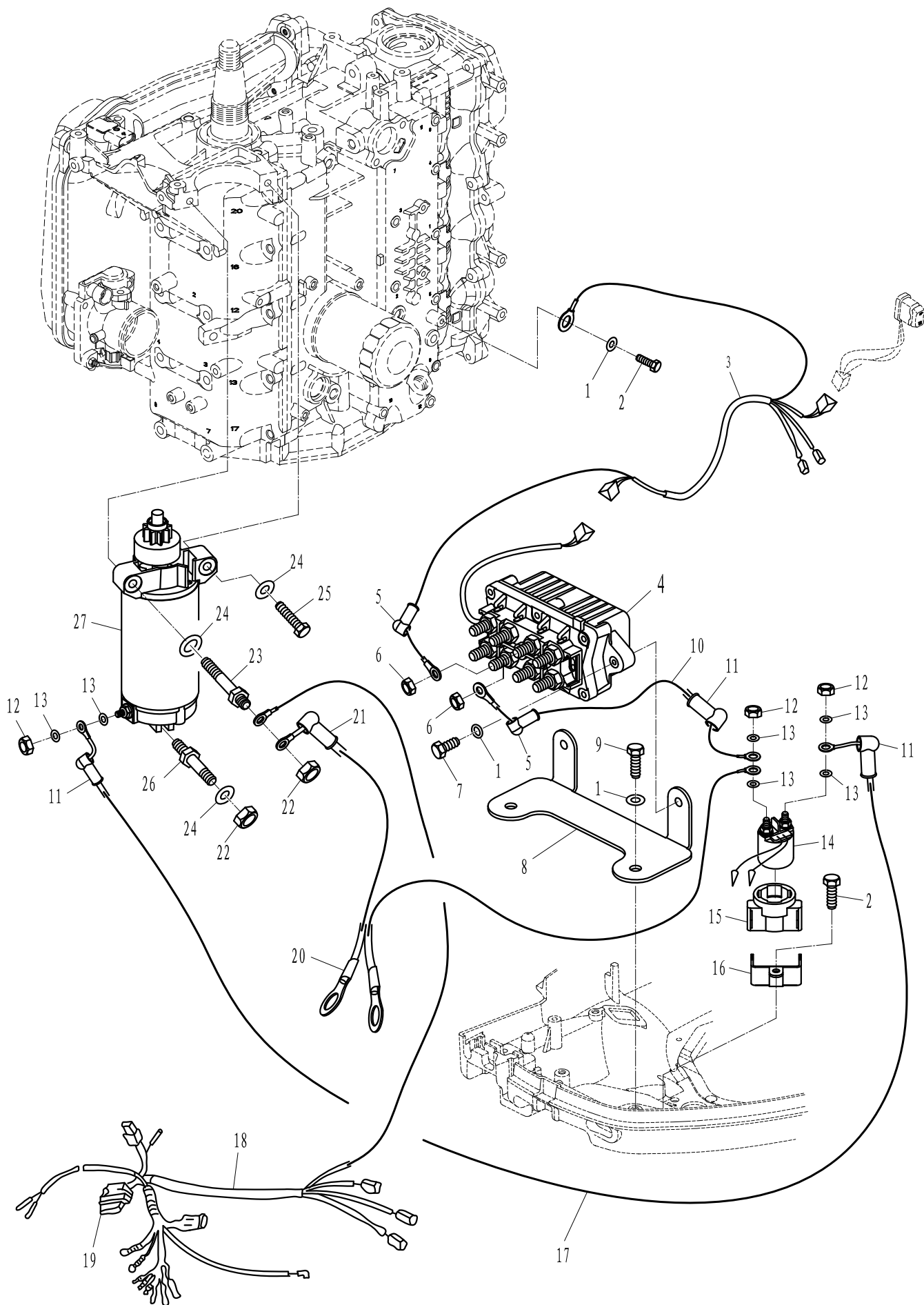
PARTS NAME: ELECTRICAL 2





零部件名称: 电气 3

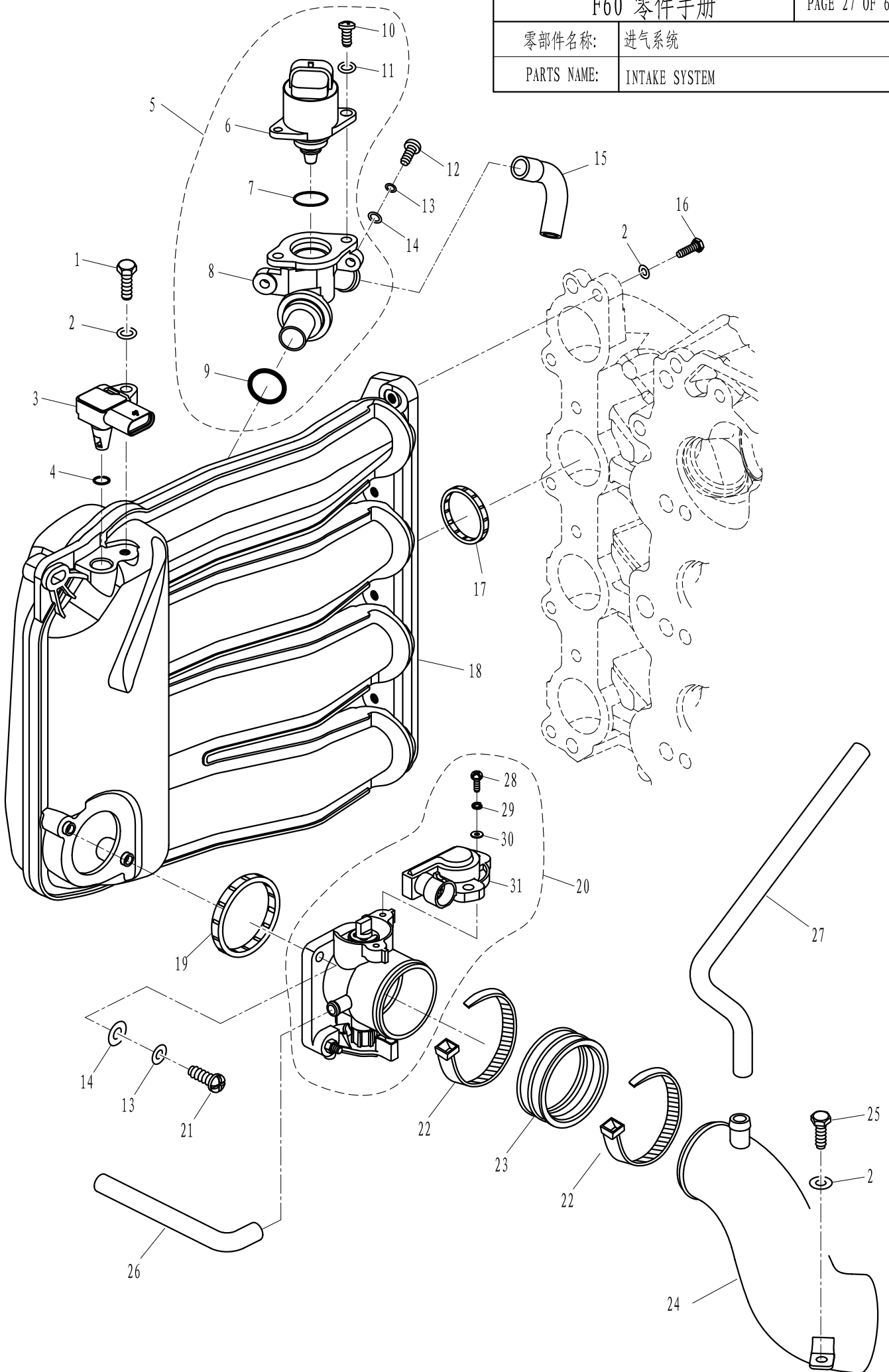
PARTS NAME: ELECTRICAL 3





零部件名称: 进气系统

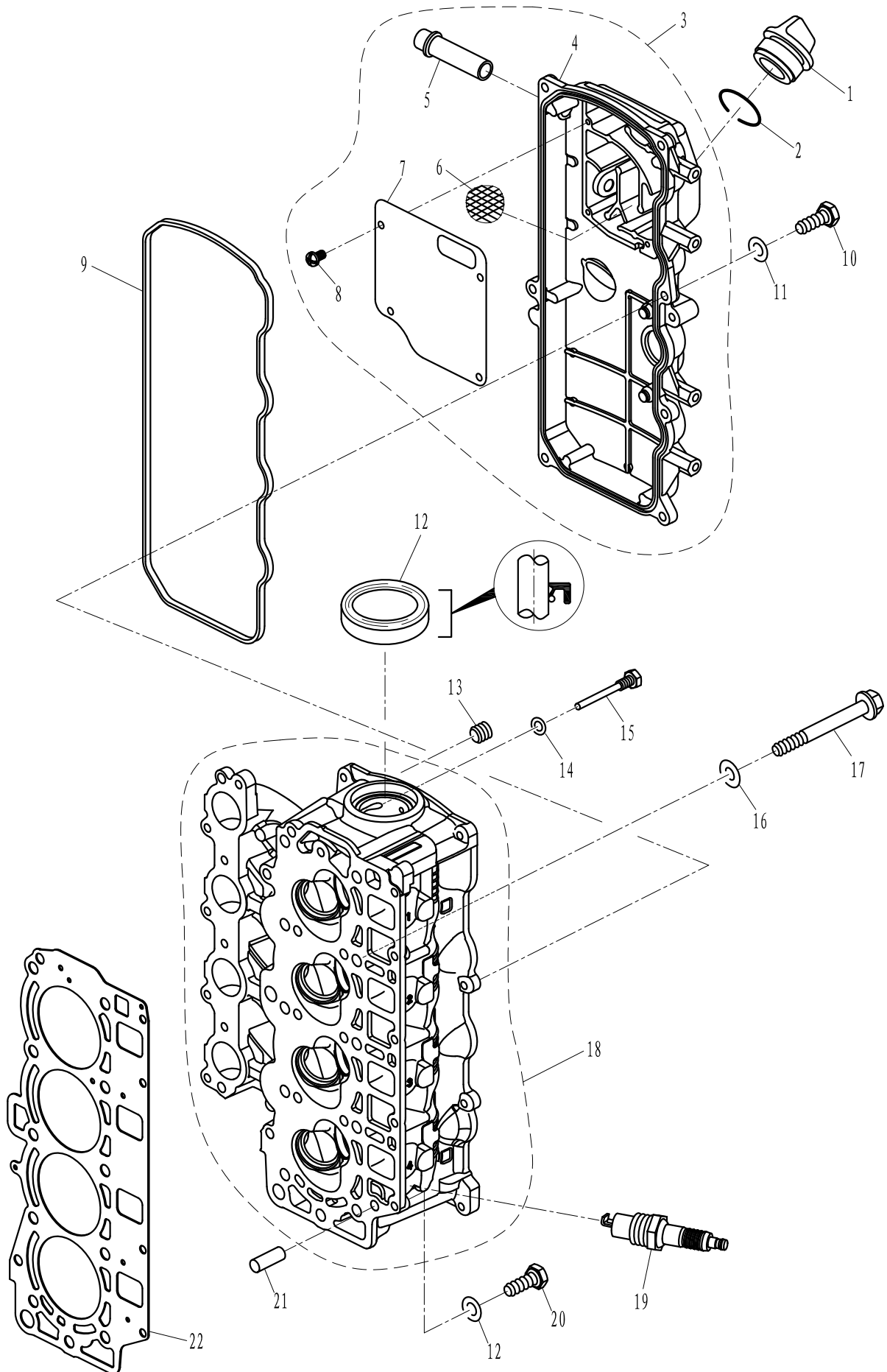
PARTS NAME: INTAKE SYSTEM





零部件名称: 气缸头

PARTS NAME: CYLINDER

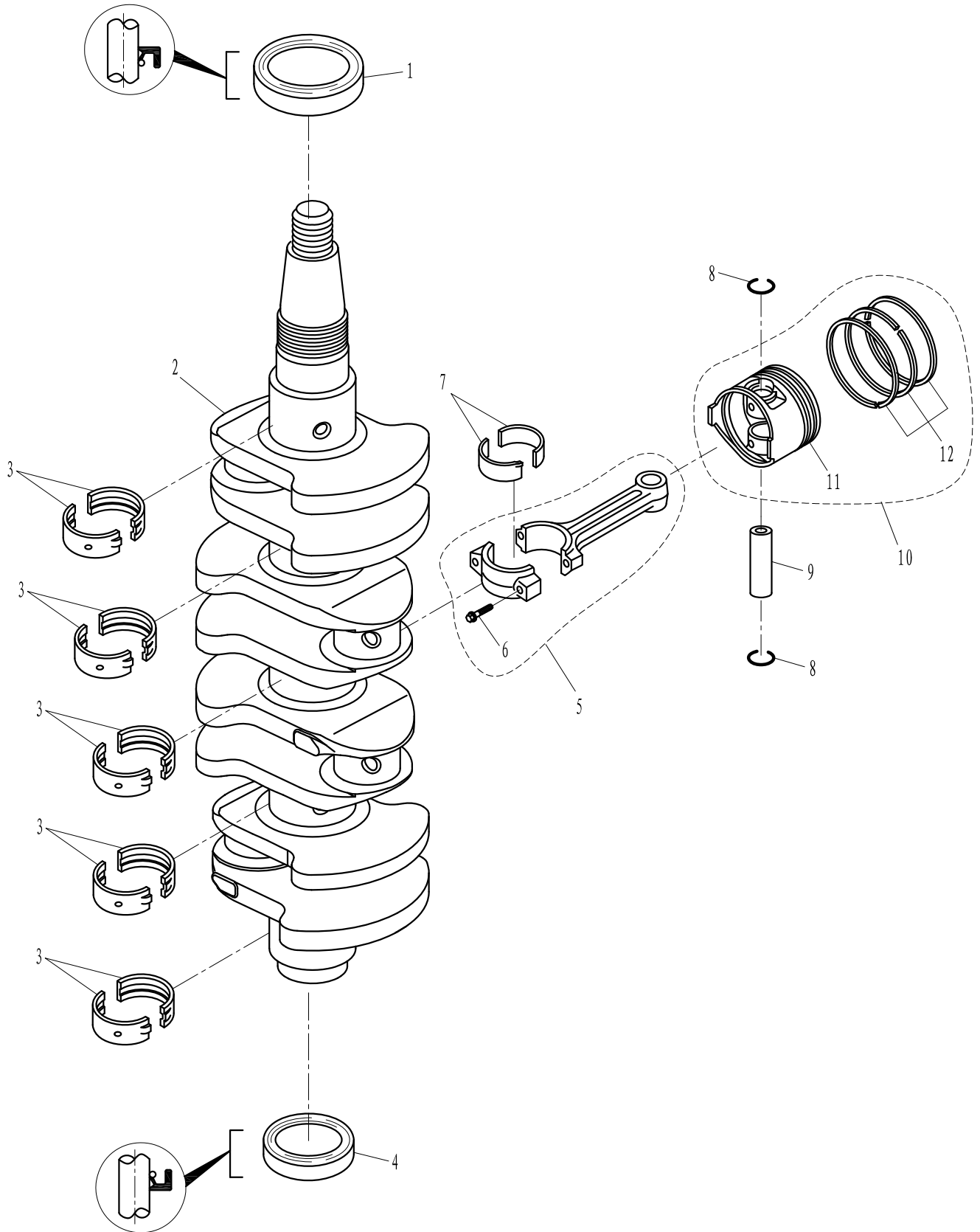






零部件名称: 曲轴&活塞

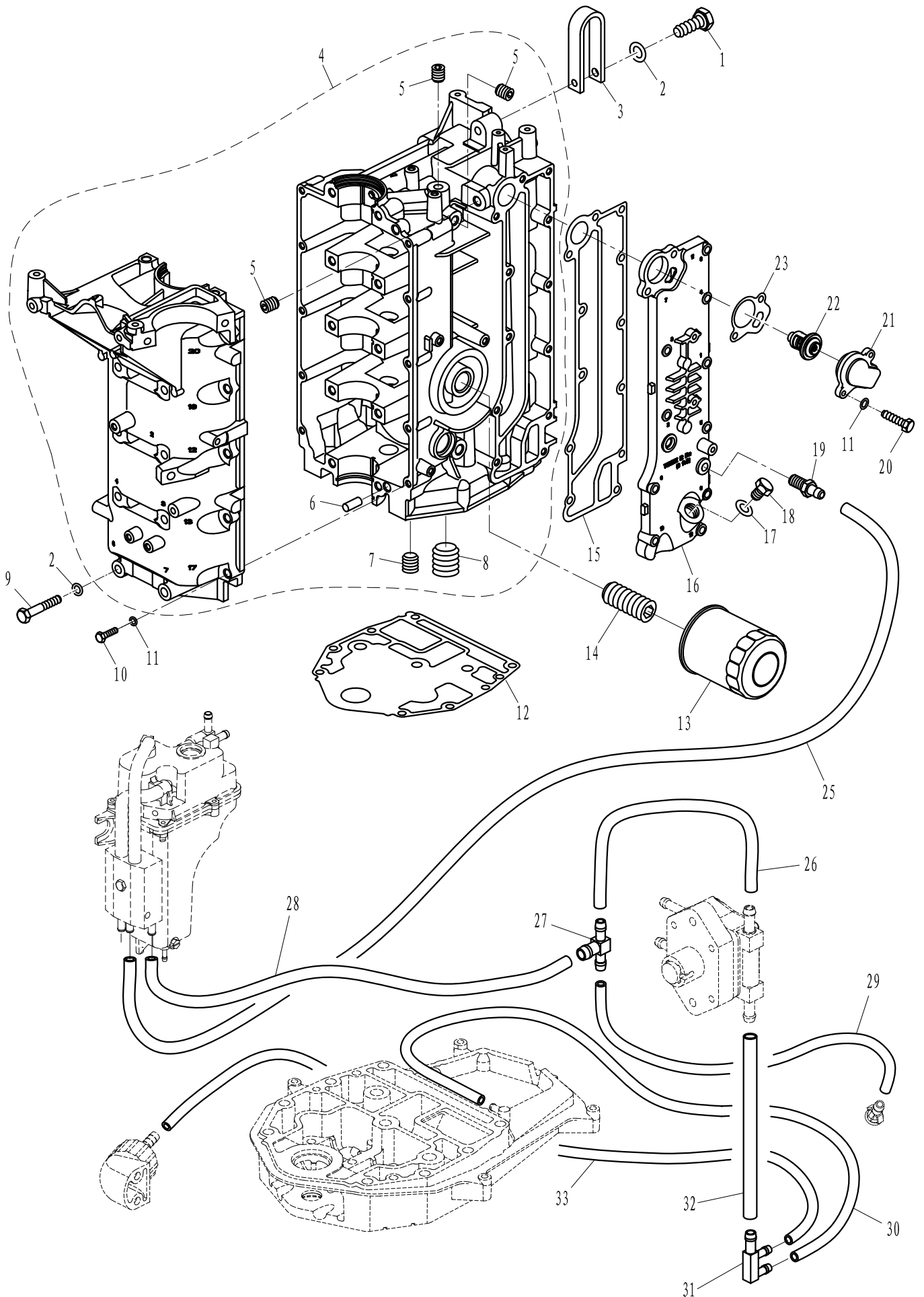
PARTS NAME: CRANKSHAFT & PISTON





零部件名称: 曲轴箱

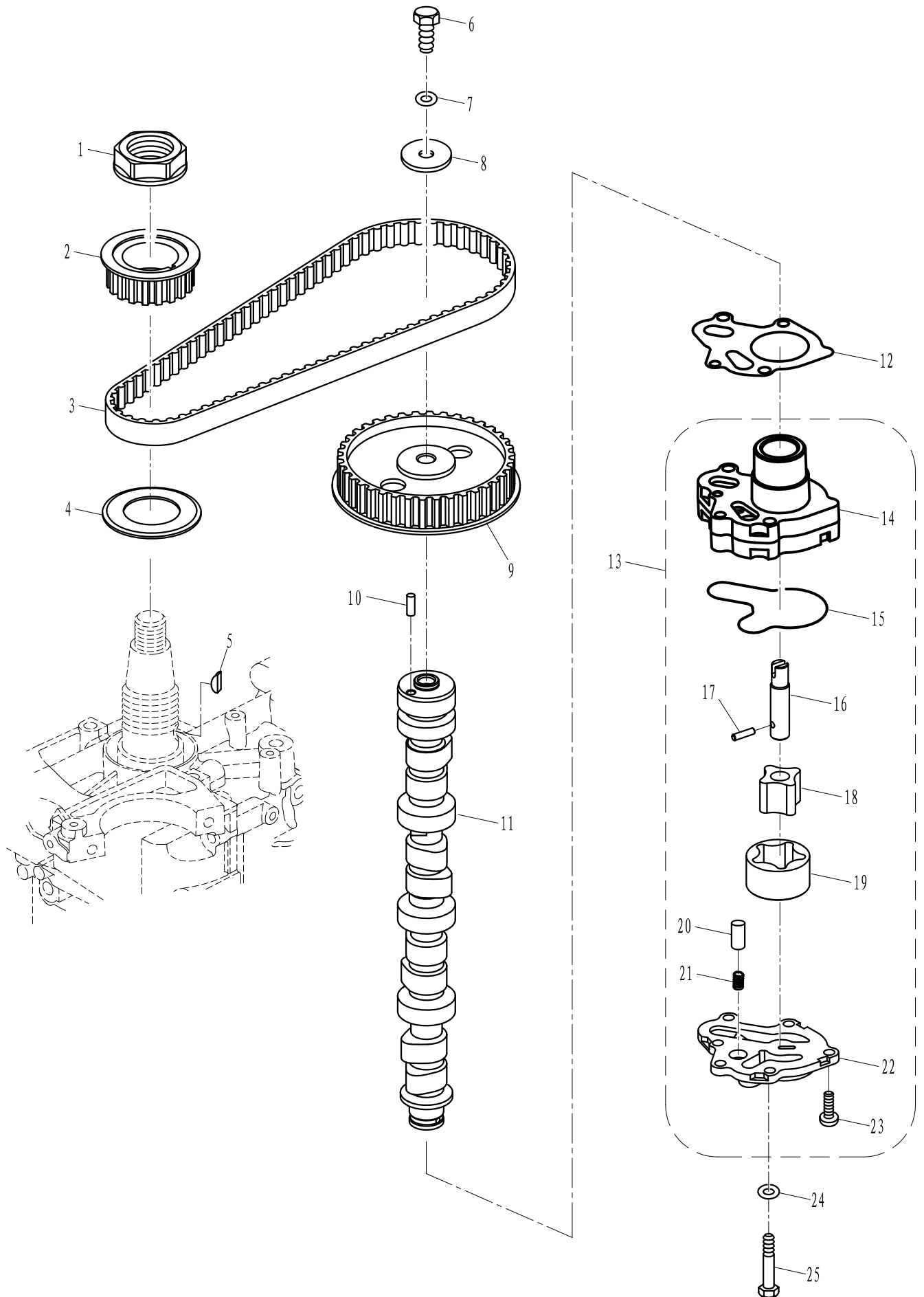
PARTS NAME: CRANKCASE





零部件名称: 油泵

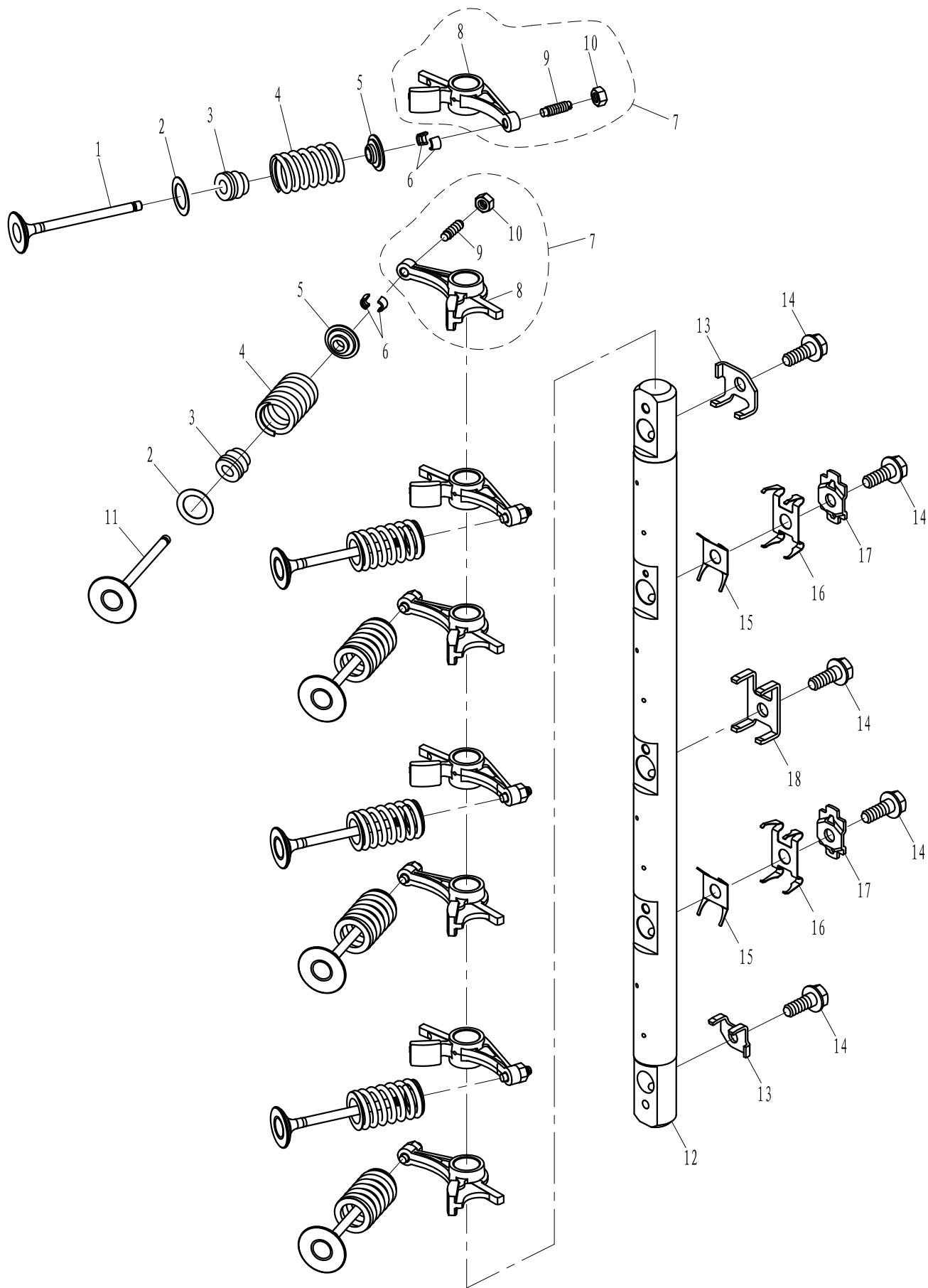
PARTS NAME: OIL PUMP





零部件名称: 阀门

PARTS NAME: VALVE

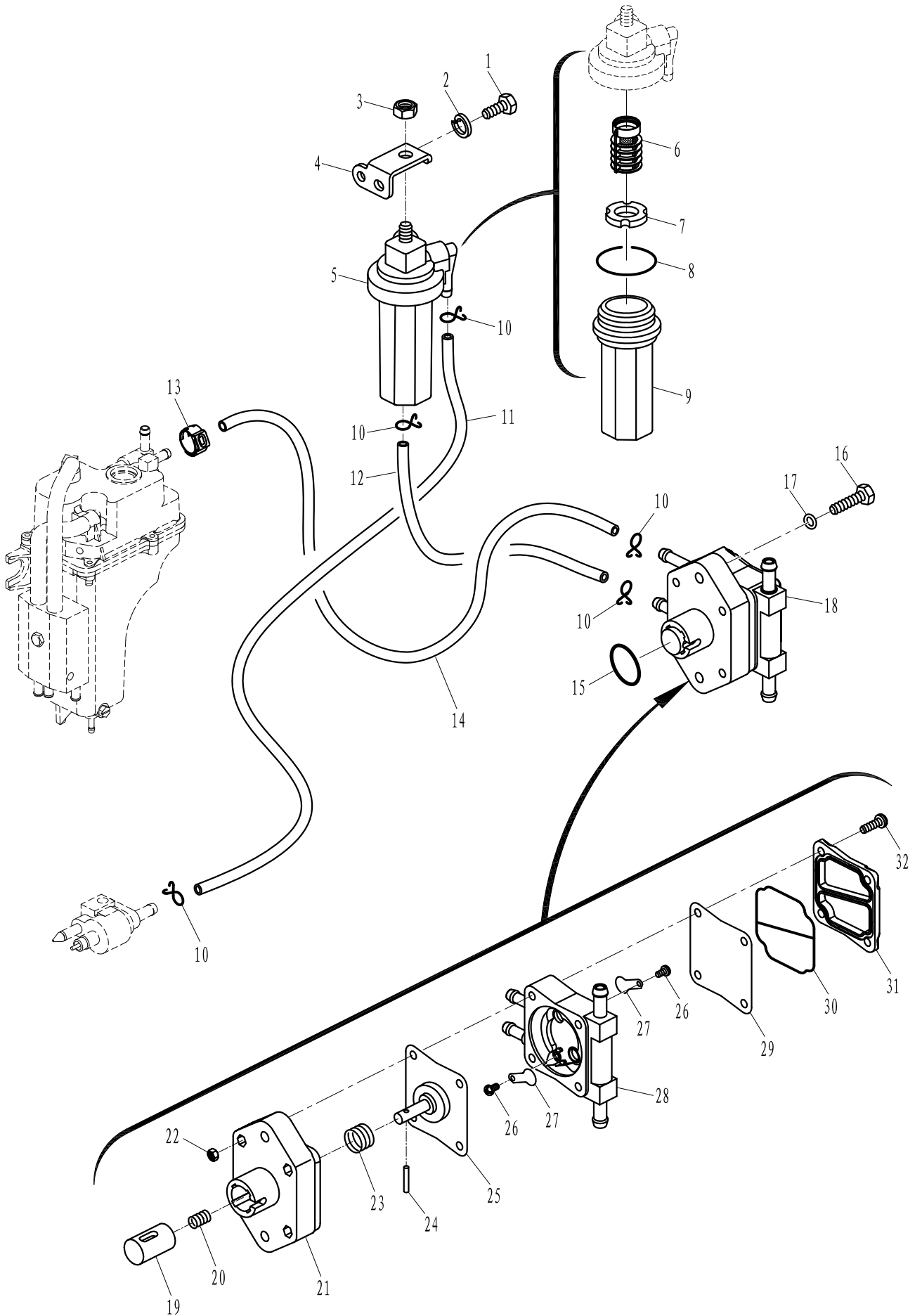






零部件名称: 燃油系统

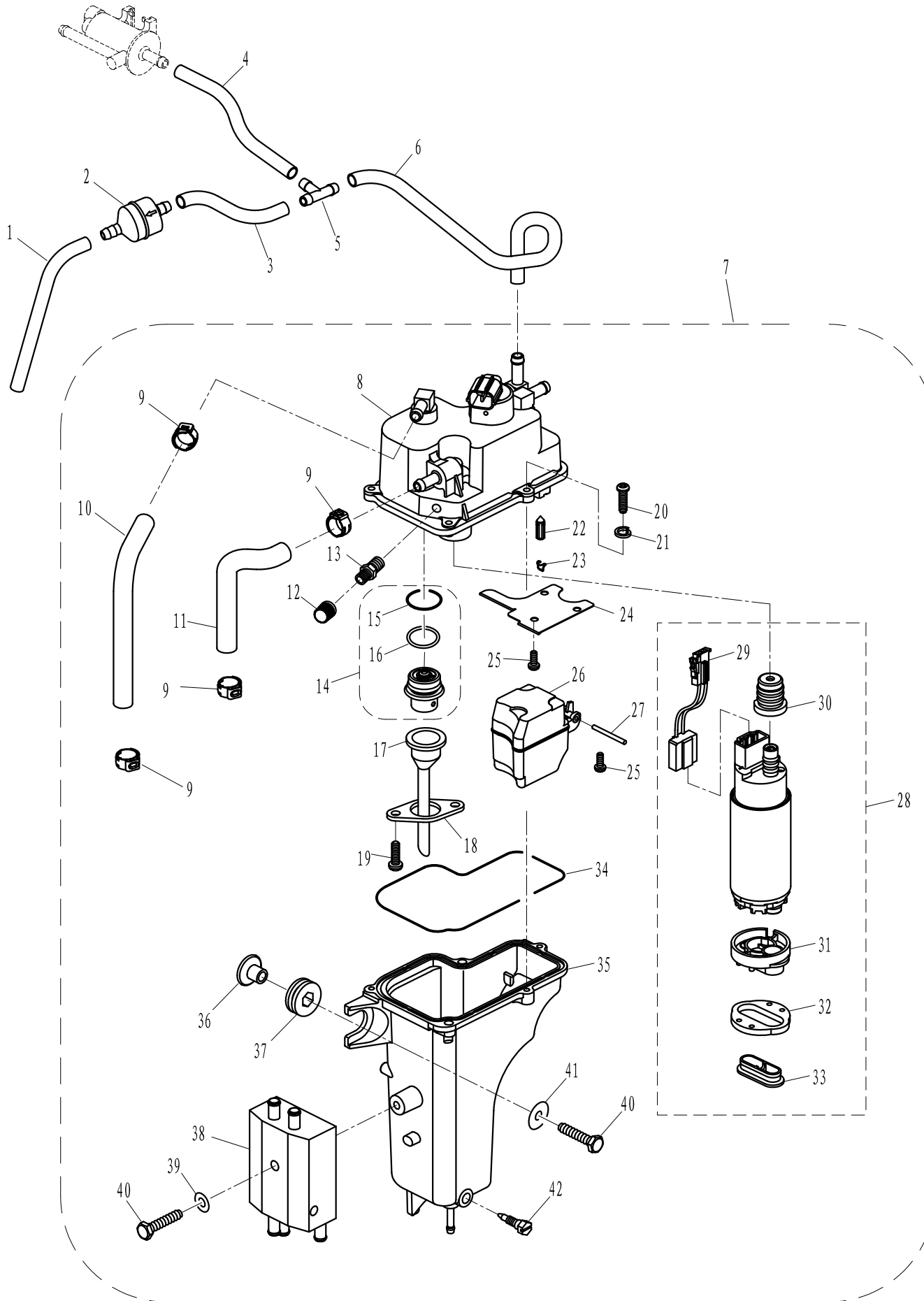
PARTS NAME: FUEL SYSTEM





零部件名称: 电动燃油泵组件

PARTS NAME: ELECTRIC OIL PUMP ASSY



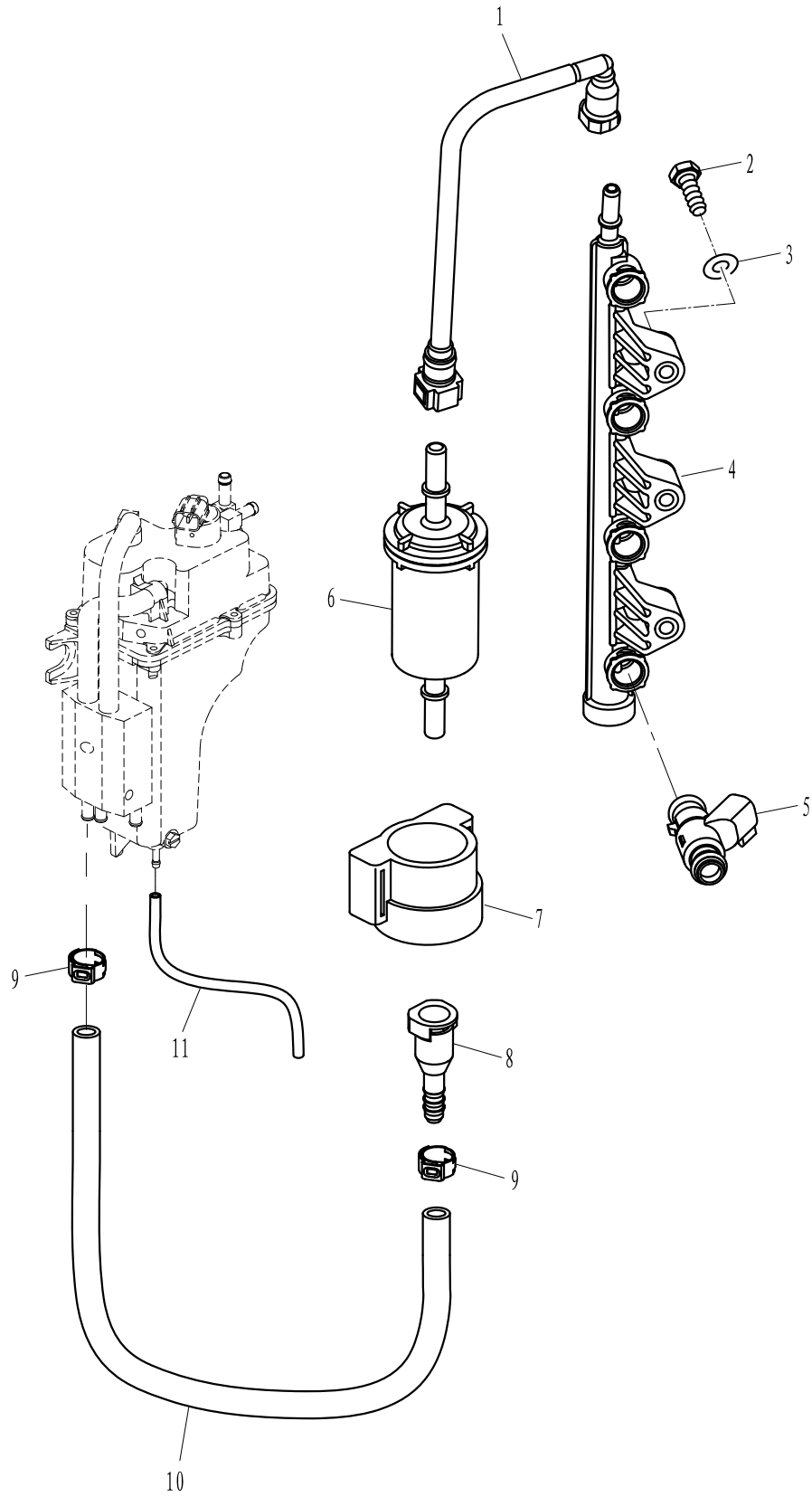
零部件名称: 电动燃油泵组件

PARTS NAME: ELECTRIC OIL PUMP ASSY

SN. 参照号码	PART NO. 零件编号	DESCRIPTION 零件名称(中文)	DESCRIPTION 零件名称(英文)	QTY 数量					REMARKS 备注
1	F60-05000025	回气管 C $\phi 5 \times \phi 10 \times 260$	AIR PIPE C	1					
2	T5-04000200	单向阀	CHECK VALVE	1					
3	F60-05000019	回气管 C $\phi 5 \times \phi 10 \times 60$ (EPA)	AIR PIPE C	1					
4	F60-05000016	回气管 B $\phi 5 \times \phi 10 \times 270$	AIR PIPE B	1					
5	F60-05000054	塑料三通 $\phi 6.5$	THREE WAY	1					
6	F60-05000053	燃油定型管	FUEL PIPE	1					
7	F40-05100000EFI	电动燃油泵组件	OIL PUMP ASSY	1					
8	F40-05100100EFI	电动燃油泵本体组件	BODY ASSY, OIL PUMP	1					
9	S7133-13.3	单耳无板卡箍	SINGLE LUG CLAMP	4					
10	F40-05100010EFI	油泵定型管A	SHAPED TUBE A, OIL PUMP	1					
11	F40-05100004EFI	油泵定型管B	SHAPED TUBE B, OIL PUMP	1					
12	F40-05100202EFI	检测阀盖帽	CAP, DETECTION VALVE	1					
13	F40-05100201EFI	油泵检测阀	DETECTION VALVE, OIL PUMP	1					
14	F40-05100600EFI	压力调节阀	PRESSURE REGULATOR VALVE	1					
15	F40-05100601EFI	压力调节阀O形圈	O-RING, PRESSURE REGULATOR VALVE	1					
16	F40-05100600-1EFI	压力调节阀尼龙垫圈	WASHER, PRESSURE REGULATOR VALVE	2					
17	F40-05100602EFI	泄油导管	CONDUIT TUBE	1					
18	F40-05100603EFI	压力阀压板	PALTE, PRESSURE REGULATOR VALVE	1					
19	GB/T818-M5x12	十字槽盘头螺钉 M5x12	SCREW M5x12	2					
20	GB/T818-M4x16	十字槽盘头螺钉 M4x16	SCREW M4x16	5					
21	GB/T93-4	弹性垫圈 4	SPRING WASHER 4	5					
22	F40-05100301EFI	针阀	NEEDLE VALVE	1					
23	F40-05100302EFI	针阀卡簧	CLAMP SPRING, NEEDLE VALVE	1					
24	F40-05100003EFI	挡板	BAFFLE PLATE	1					
25	GB/T818-M4x8	十字槽盘头螺钉 M4x8	SCREW M4x8	4					
26	F40-05100001EFI	浮子	FLOATER	1					
27	F40-05100002EFI	浮子销	PIN, FLOATER	1					
28	F40-05100500EFI	油泵组件	OIL PUMP ASSY	1					
29	F40-05100505EFI	油泵连接线	CONNECTION LINE, OIL PUMP	1					
30	F40-05100501EFI	油泵口胶套	RUBBER SLEEVE, OIL PUMP	1					
31	F40-05100504EFI	油泵垫块	PADDING BLOCK, OIL PUMP	1					
32	F40-05100503EFI	油泵橡胶垫	RUBBER PAD, OIL PUMP	1					
33	F40-05100502EFI	油泵滤网	FILTER NET, OIL PUMP	1					
34	F40-05100704EFI	油杯密封圈	SEAL, OIL CAP	1					
35	F40-05100701EFI	电动燃油泵油杯组件	OIL CAP, ELECTRIC PUMP	1					
36	F25-05090005	点火模块减震圈衬管	BUSHING, DAMPER	3					
37	F25-05090004	点火模块减震圈	DAMPER	3					
38	F40-05100800EFI	燃油冷却器	COOLER, FUEL	1					
39	GB/T97.1-6	平垫圈 6	WASHER 6	1					
40	GB/T5783-M6x25	六角螺栓 M6x25	BOLT M6x25	4					
41	GB/T96-6	大垫圈 6	BIG WASHER 6	3					
42	F40-05100703EFI	油杯放油螺钉	DRAIN BOLT, OIL CUP	1					

零部件名称: 燃油共轨

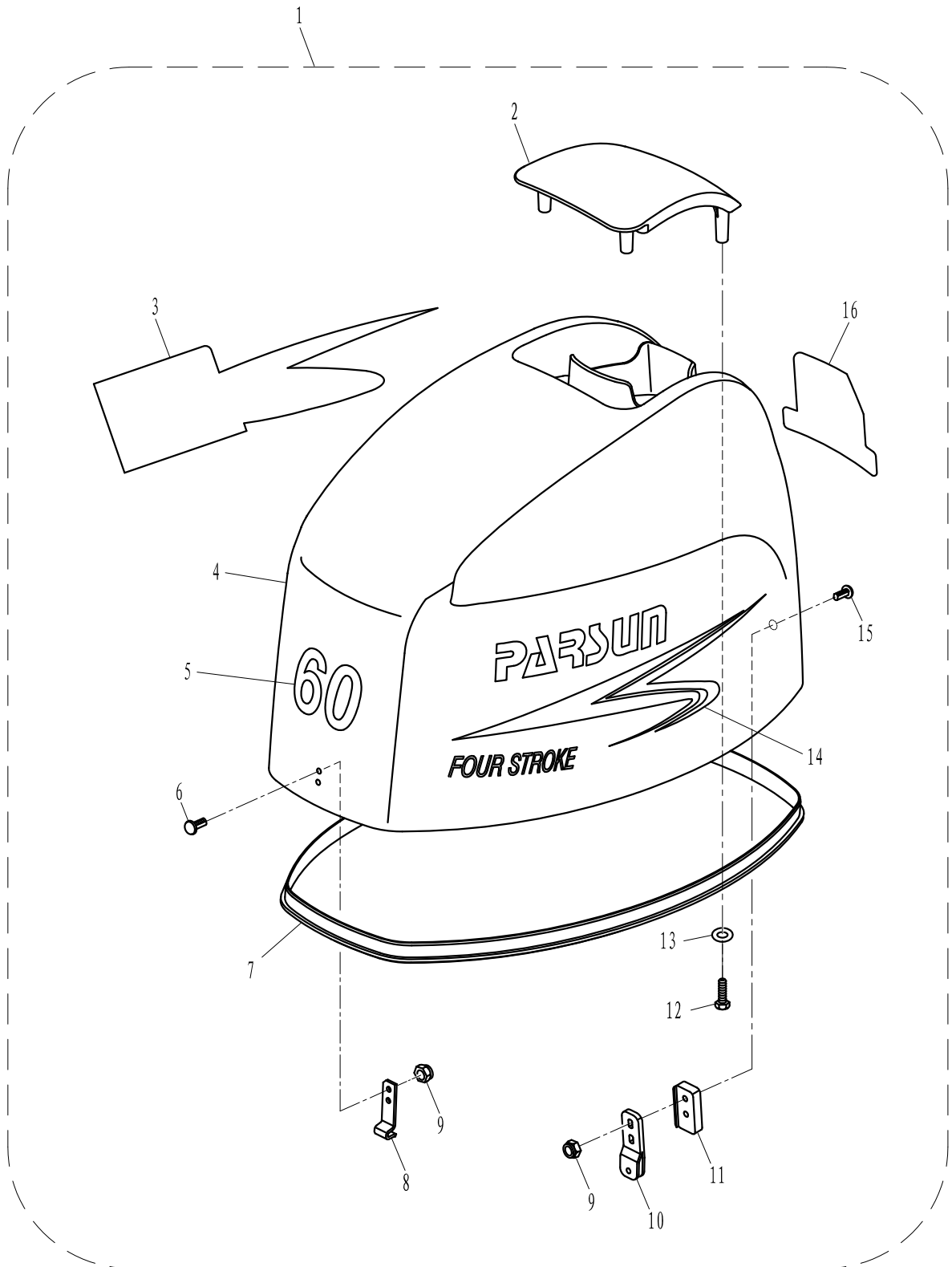
PARTS NAME: FUEL COMMON RAIL





零部件名称: 顶罩组件

PARTS NAME: TOP COWLING ASSY

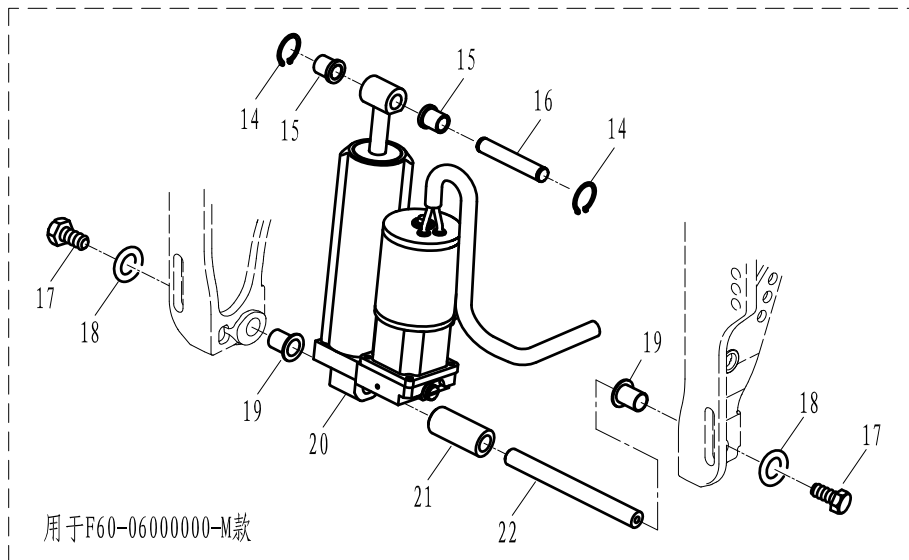
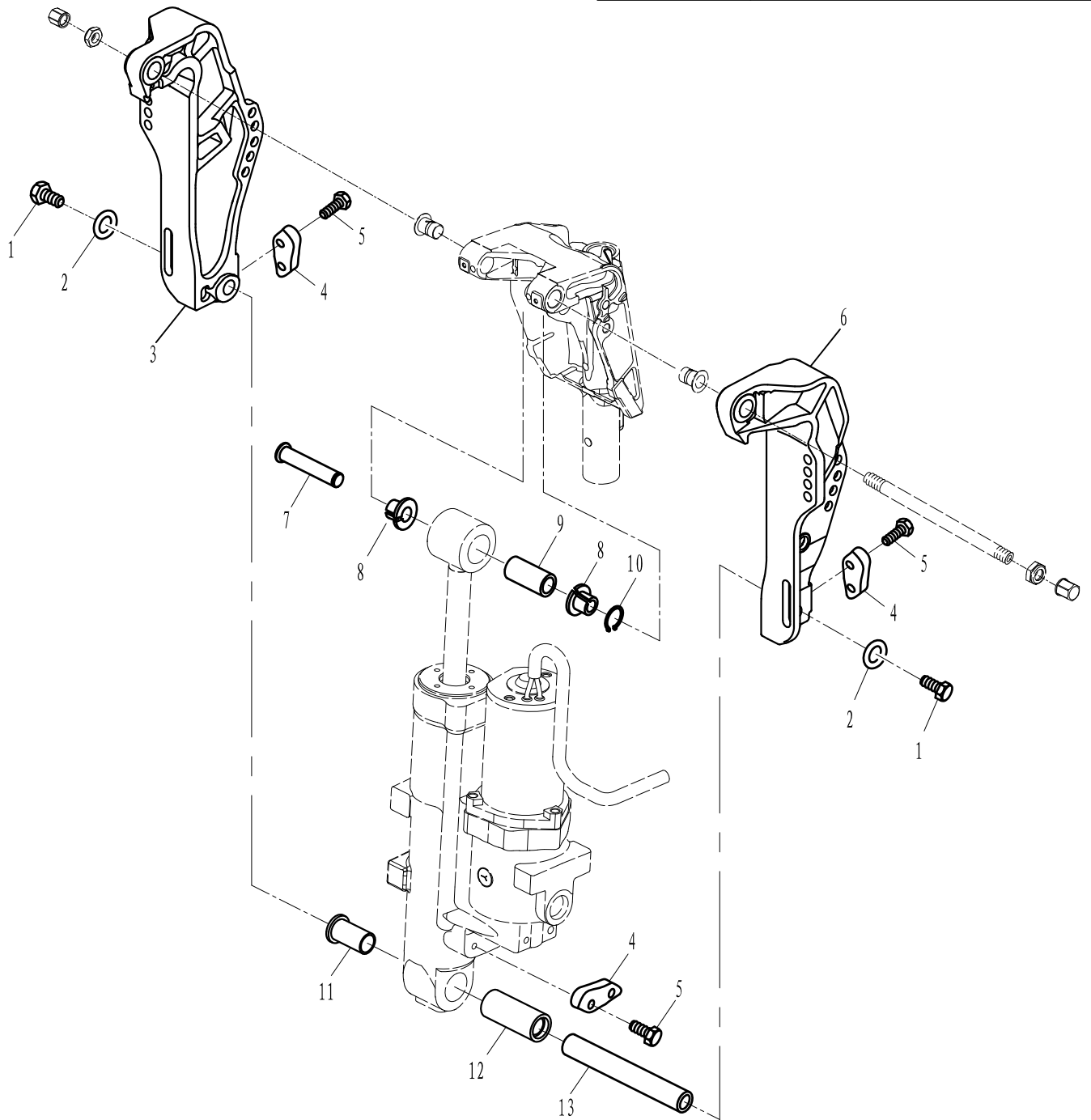






零部件名称: 液压起翘系统 1

PARTS NAME: HYDRAULIC TILT ASSY 1

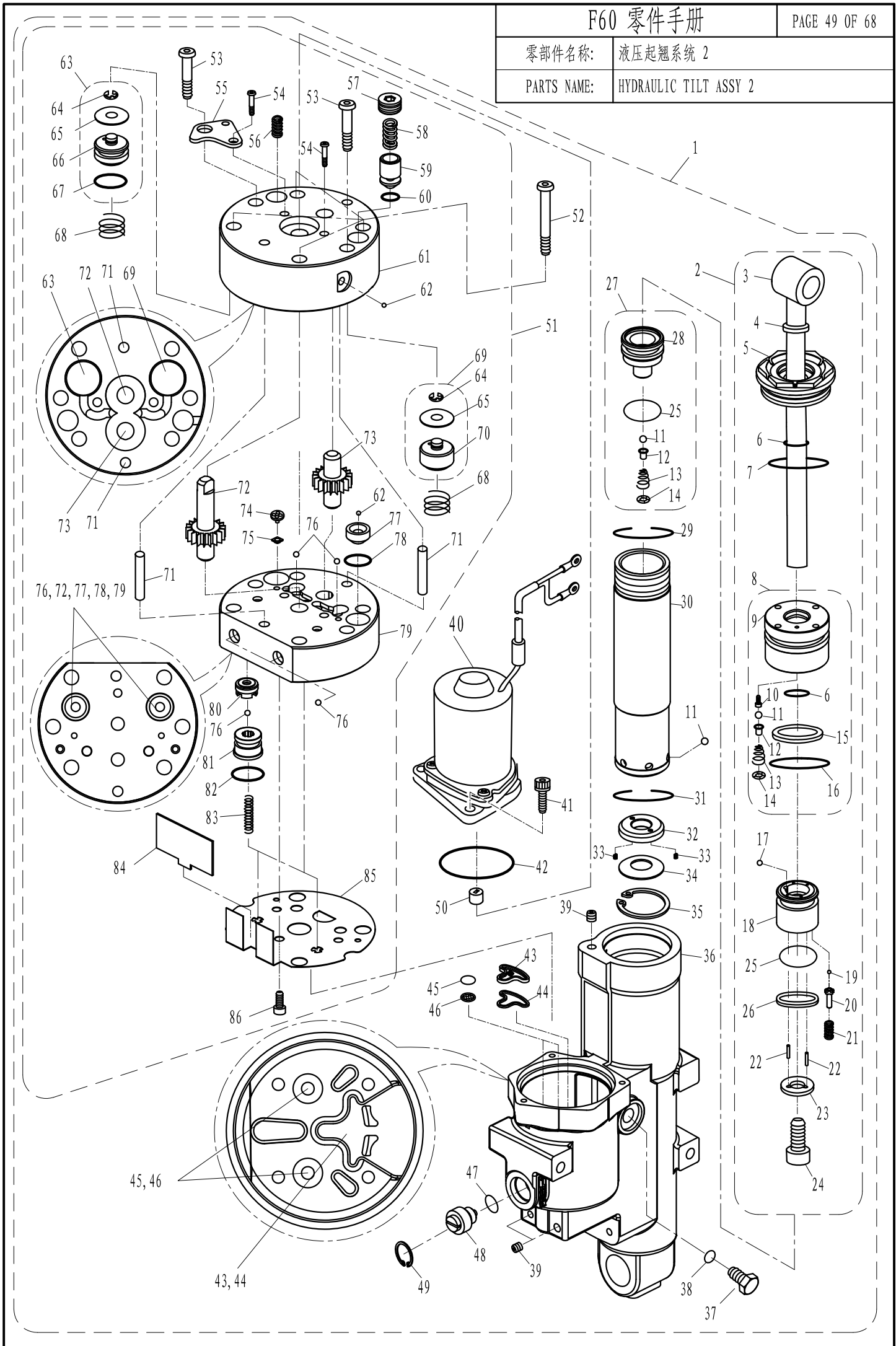


用于F60-06000000-M款



零部件名称: 液压起翘系统 2

PARTS NAME: HYDRAULIC TILT ASSY 2



零部件名称: 液压起翘系统 2

PARTS NAME: HYDRAULIC TILT ASSY 2

SN. 参照号码	PART NO. 零件编号	DESCRIPTION 零件名称(中文)	DESCRIPTION 零件名称(英文)	QTY 数量					REMARKS 备注
1	F60-06000000	液压起翘组件	HYDRAULIC TILT ASSY	1					
2	F60-06010000	活塞组件	PISTON ASSY	1					
3	F60-06010100	活塞推杆组件	SHAFT OF PISTON ASSY	1					
4	F60-06010003	推杆油封 $\phi 17x\phi 25x5$	OIL SEAL $\phi 17x\phi 25x5$	1					
5	F60-06010002	油缸螺母	SCREW	1					
6	GB/T3452.1- $\phi 16.8x\phi 2.65$	推杆O形圈 $\phi 16.8 \times \phi 2.65$	O-RING $\phi 16.8x\phi 2.65$	2					
7	JIS-FG46	螺母O形圈 $\phi 45.5 \times \phi 2$	O-RING $\phi 45.5x\phi 2$	1					
8	F60-06010200	油缸盖组件	COVER ASSY	1					
9	F60-06010201	油缸盖	COVER	1					
10	GB/T70.1-M1.6x8	内六角螺钉M1.6x8 (发黑)	BOLT M1.6x8 (BLACK)	1					
11	F60-06010204	轴承钢珠3/16	BALL 3/16	8					
12	GB/T876-3x3	空心铆钉3x3	HOLLOW RIVET 3x3	2					
13	F60-06010203	单向阀弹簧	SPRING	2					
14	T85-06010403	防松止圈	THRUST WASHER	2					
15	JIS-B-2407-P40T2	油缸盖挡圈P40T2	COVER, BACK UP	1					
16	JIS-B-2401-P40	O形圈 $\phi 39.7x\phi 3.5$	O-RING $\phi 39.7x\phi 3.5$	1					
17	T40-10000001	轴承钢珠1/8	BALL 1/8	1					
18	F60-06010004	推杆活塞	PISTON	1					
19	F60-06010006	轴承钢珠3/32	BALL 3/32	4					
20	F60-06010007	钢珠托架	TRAY, STEEL BALL	4					
21	F60-06010008	活塞弹簧	SPRING	4					
22	F60-06010009	滚针 $\phi 2x6.8$	ROLLER $\phi 2x6.8$	2					
23	F60-06010010	压板垫圈	WASHER	1					
24	GB/T70.1-M10x1.25x40	内六角螺栓M10x1.25x40 (发黑)	SCREW M10x1.25x40 (BLACK)	1					
25	JIS-B-2401-P24	自由活塞O形圈 $\phi 23.7x\phi 3.5$	O-RING $\phi 23.7x\phi 3.5$	2					
26	JIS-B-2407-P24T2	活塞挡圈P24T2	PISTON, BACK UP	1					
27	F60-06000200	自由活塞组件	FREE PISTON ASSY	1					
28	F60-06000201	自由活塞	FREE PISTON	1					
29	F60-06000102	钢丝挡圈30	RING, SNAP-ROLL	1					
30	F60-06000101	活塞油缸	PISTON OIL BOX	1					
31	F60-06000011	钢丝挡圈32	RING, SNAP-ROLL	1					
32	F60-06000002	油缸底座	BOTTOM, OIL BOX	1					
33	F60-06000003	底座弹簧	SPRING	2					
34	F60-06000004	底座挡板	WASHER	2					
35	GB/T893.1-32	孔用弹性挡圈32 (发黑)	RING, SNAP CIRCLIP 32 (BLACK)	1					
36	F60-06000001	液压缸体	HOUSING	1					
37	T85-06010009	放油螺钉	SCREW	1					
38	GB/T3452.1-9x2.2	O形圈 $\phi 9x\phi 2.2$	O-RING $\phi 9x\phi 2.2$	1					
39	T85-06010002	气缸堵塞1/16	BLOCK, CYLINDER	3					
40	F60-06030000	起翘电机	MOTOR ASSY	1					
41	GB/T70.1-M5x20	内六角螺钉M5x20 (发黑)	SCREW M5x20 (BLACK)	3					
42	JASO-F404-31-065	O形圈 $\phi 64.4x\phi 3.1$	O-RING $\phi 64.4x\phi 3.1$	1					
43	F60-06000008	过滤器B	FILTER B	1					

零部件名称: 液压起翘系统 2

PARTS NAME: HYDRAULIC TILT ASSY 2

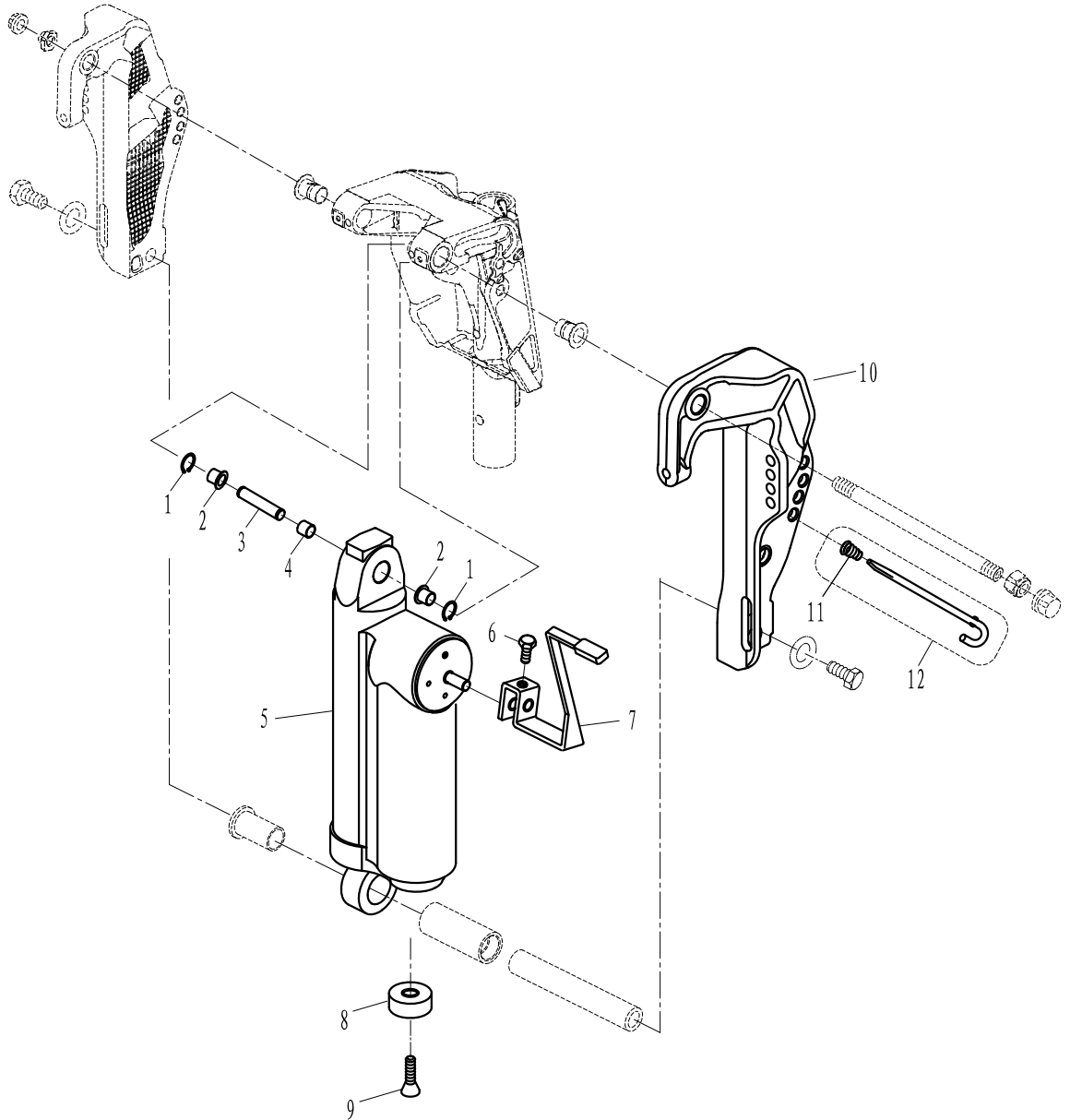
SN. 参照号码	PART NO. 零件编号	DESCRIPTION 零件名称(中文)	DESCRIPTION 零件名称(英文)	QTY 数量					REMARKS 备注
44	F60-06000009	过滤器B垫板	WASHER, FIFTER B	1					
45	F60-06000007	过滤器O形圈 $\phi 7.6 \times \phi 1.5$	O-RING $\phi 7.6 \times \phi 1.5$	2					
46	F60-06000006	过滤器A	FIFTER A	2					
47	T85-06020015	手控阀O形圈 $\phi 17.5 \times \phi 2.65$	O-RING $\phi 17.5 \times \phi 2.65$	1					
48	F60-06000005	手控阀本体	SCREW, MANUAL RELEASE	1					
49	GB/T893.1-20	孔用弹性挡圈20	RING, SNAP-ROLL	1					
50	F60-06000010	齿轮泵连接器	MOTOR LINK	1					
51	F60-06020000	齿轮泵组件	MOTOR ASSY	1					
52	GB/T70.1-M5x45	内六角螺钉M5x45(发黑)	SCREW M5x45(BLACK)	4					
53	GB/T70.1-M5x30	内六角螺钉M5x30(发黑)	SCREW M5x30(BLACK)	2					
54	GB/T70.1-M3x25	内六角螺钉M3x25(发黑)	SCREW M3x25(BLACK)	2					
55	F60-06020015	安全阀弹簧压板	VALVE PLATE	1					
56	F60-06020014	安全阀弹簧	SPRING	1					
57	F60-06020009	溢流阀螺塞	SCREW, VALVE LOCK	1					
58	F60-06020008	溢流阀弹簧	SPRING	1					
59	F60-06020006	溢流阀芯	BODY, RELIEF VALVE	1					
60	F60-06020007	溢流阀芯O形圈 $\phi 4.5 \times \phi 1.5$	O-RING $\phi 4.5 \times \phi 1.5$	1					
61	F60-06020001	齿轮泵体	GEAR PUMP BODY	1					
62	GB/T308-3	轴承钢珠3	BALL 3	2					
63	F60-06020100	滑梭活塞A组件	PISTON, SHUTTLE ASSY A	1					
64	GB/T896-3	开口挡圈3(发黑)	RING, SNAP CIRCLIP 3(BLACK)	2					
65	F60-06020102	密封垫片	WASHER	2					
66	F60-06020101	滑梭活塞A	PISTON, SHUTTLE A	1					
67	F60-06020103	滑梭活塞O型圈 $\phi 8.6 \times \phi 1.5$	O-RING $\phi 8.6 \times \phi 1.5$	1					
68	F60-06020004	滑梭活塞弹簧	SPRING	2					
69	F60-06020200	滑梭活塞B组件	PISTON, SHUTTLE ASSY B	1					
70	F60-06020201	滑梭活塞B	PISTON, SHUTTLE B	1					
71	F60-06020005	滚针 $\phi 4 \times 25.8$	ROLLER $\phi 4 \times 25.8$	2					
72	F60-06020002	齿轮A	GEAR A	1					
73	F60-06020003	齿轮B	GEAR B	1					
74	T85-06010205	阀门支座	PIN, VALVULA SUPORTE	1					
75	T85-06010204	阀门密封件	SEAL, VALVE	1					
76	GB/T308-4	轴承钢珠4	BALL 4	6					
77	F60-06020013	溢流阀座	SEAT, RELIEF VALVE	1					
78	F60-06020012	溢流阀座O形圈 $\phi 5.5 \times \phi 1.5$	O-RING $\phi 5.5 \times \phi 1.5$	1					
79	F60-06020010	齿轮泵盖	GEAR PUMP COVER	1					
80	F60-06020011	单向阀座	SEAT, UNILATERAL VALVE	2					
81	F60-06020017	单向阀芯	BODY, UNILATERAL VALVE	2					
82	F60-06020018	单向阀O型圈 $\phi 7.5 \times \phi 1.5$	O-RING $\phi 7.5 \times \phi 1.5$	2					
83	F60-06020019	压缩弹簧	SPRING	2					
84	F60-06020020	手控阀压板	PLATE	1					
85	F60-06020021	阀门密封板	SEAT, PLATE	1					
86	GB/T70.1-M3x5	内六角螺钉M3x5(发黑)	SCREW M3x5(BLACK)	1					

零部件名称:

手动起翘 (手操)

PARTS NAME:

MANUAL TILT (MANUAL CONTROL)

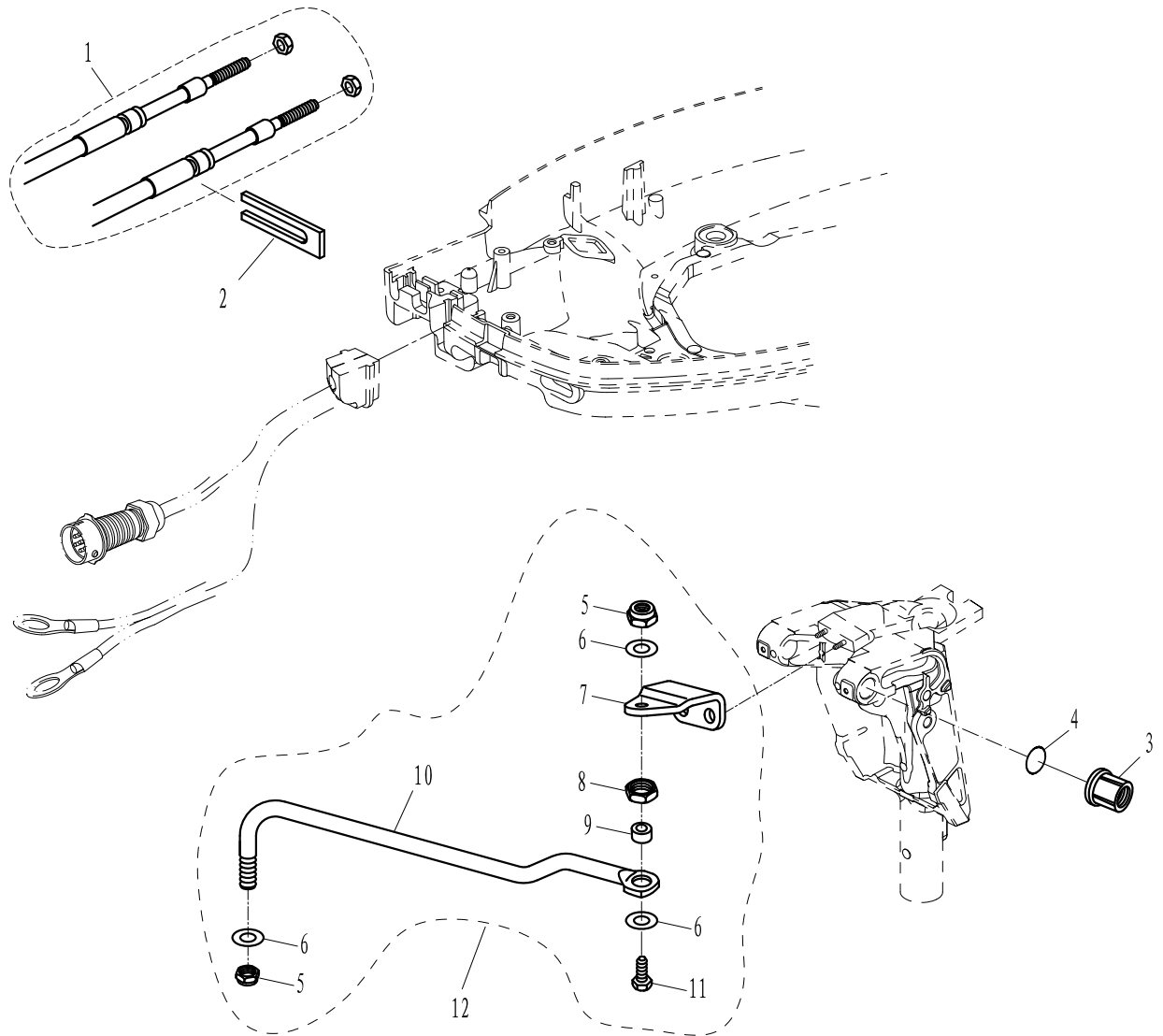






零部件名称: 转向连杆组件

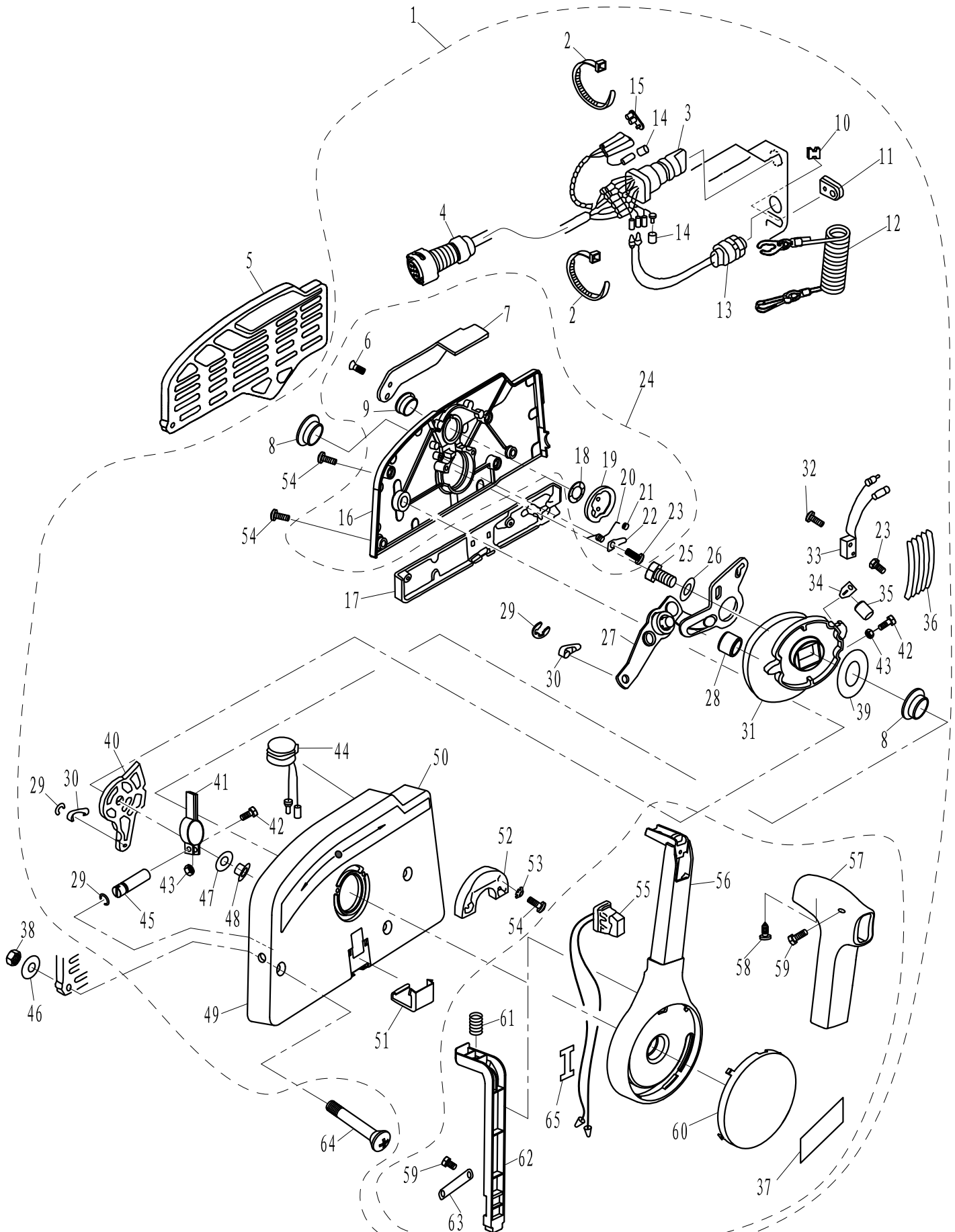
PARTS NAME: LINK ROD ASSY





零部件名称: 操纵盒组件

PARTS NAME: CONTROL BOX ASSY



零部件名称:

操纵盒组件

PARTS NAME:

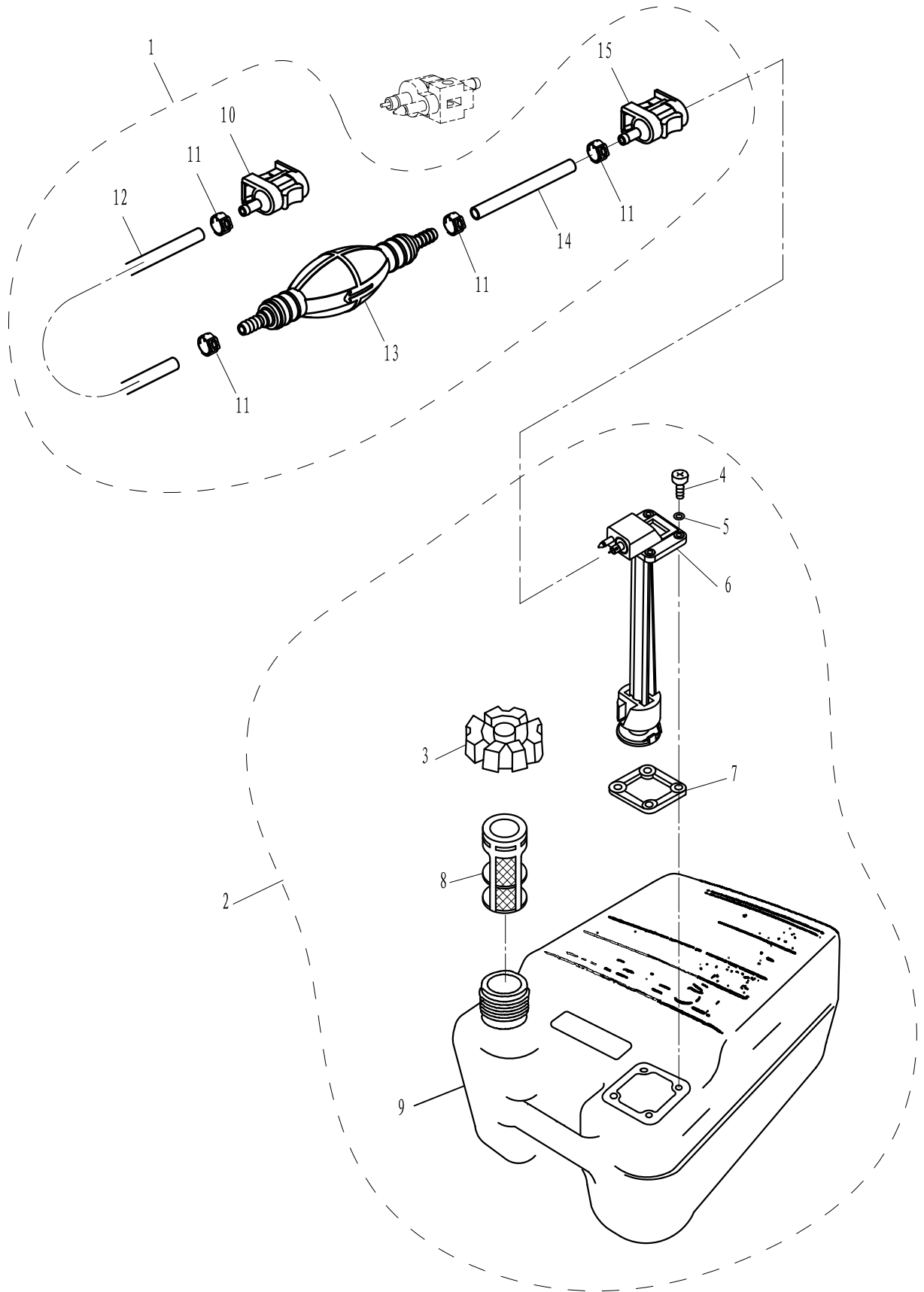
CONTROL BOX ASSY

SN. 参照号码	PART NO. 零件编号	DESCRIPTION 零件名称(中文)	DESCRIPTION 零件名称(英文)	QTY 数量					REMARKS 备注
1	F40-1300000EFI	操纵盒组件	CONTROL BOX ASSY	1					EFI
2	HT2. 5x60	尼龙扎带	CLAMP	2					
3	F40-13000200EFI	起动开关组件	STARTING SWICH ASSY	1					EFI
4	F40-08010100EFI	操纵线索	CONTROL CABLE	1					EFI
5	F15-11000002W	操纵盒安装板	PLATE, CONTROL BOX	1					
6	GB/T819. 2-M5x12	十字槽沉头螺钉 M5x12	SCREW PAN HEAD M5x12	2					
7	F15-13020007W	油门微调手柄	THROTTLE HANDLE, INCHING	1					
8	F15-13000005W	凸轮机构衬套	BUSH, CAM	2					
9	F15-13020006W	微调手柄衬套	BUSH, HANDLE	1					
10	F15-11000001W	钢索橡胶垫块	BLOCK, RUBBER	1					
11	F15-13000014W	线索护套	JACKET, CABLE	1					
12	F4-01090401	引擎停止安全索	STOPER, HANG ROPE ASSY	1					
13	F15-13000400W	急停开关组件	ENGINE STOP SWICH ASSY	1					
14	F15-13000203W	绝缘堵头 B	INSULATED PLUG "B"	2					
15	F15-13000202W	绝缘堵头 A	INSULATED PLUG "A"	1					
16	F15-13020001W	操纵盒盖	COVER , CONTROL BOX	1					
17	F15-13000013W	操纵盒小盖板	SMALL COVER , CONTROL BOX	1					
18	F15-13020005W	波形垫圈 B	WASHER "B" , WAVE	1					
19	F15-13020100W	锁紧圆盘组件	LOCKED DISK ASSY	1					
20	F15-13020002W	扭簧	TORSION SPRING	1					
21	F15-13020003W	互锁滑轮	EACH LOCKED PULLEY	1					
22	F15-13020004W	滑轮弹簧压板	PLATE , PULLEY SPRING	1					
23	GB/T818-M4x6	十字槽盘头螺钉 M4x6	PAN HEAD SCREW M4x6	2					
24	F15-13020000W	操纵盒盖组件	COVER ASSY, CONTROL BOX	1					
25	GB/T5783-M8x30	六角螺栓 M8x30	BOLT M8x30	1					
26	GB/T97. 1-8	平垫圈 8	WASHER 8	1					
27	T20-13000500W	油门控制机构	MACHINE, CONTROL ACCELEROGRAPH	1					
28	F15-13000007W	销轴垫圈	WASHER	1					
29	GB/T896-6	开口挡圈 6	PIN , COTTER 6	3					
30	F25-07000007W	操控钢索接头 B	CONTROL CABLE TIE-IN "B"	2					
31	F15-13000002W	凸轮机构	CAM MECHANISM	1					
32	GB/T818-M3x14	十字槽盘头螺钉M3x14	PAN HEAD SCREW M3X14	2					
33	F15-13000800W	微动开关	INCHING SWITCH	1					
34	F15-13000003W	档位弹簧片压板	PLATE	1					
35	F15-13000004W	档位滑轮	PULLEY	1					
36	F15-13000001W	档位弹簧片 B	SHIFT SPRING PLATE "B"	5					
37	F15-12000016W	标贴 16	MARK 16	1					
38	GB/T6170-M6	六角螺母 M6	NUT M6	3					
39	F15-13000008W	凸轮机构减磨片	WEARABLE PLATE , CAM MACHANISM	1					
40	F15-13000700W	变档摆杆	SHIFT SWING LINK	1					
41	F15-13000601W	调节器固定板组件	ADJUSTER FASTNESS ASSY	1					
42	GB/T5783-M5x25	六角螺栓 M5x25	BOLT M5x25	2					
43	GB/T6170-M5	六角螺母 M5	NUT M5	2					



零部件名称: 外燃油箱 (24L)

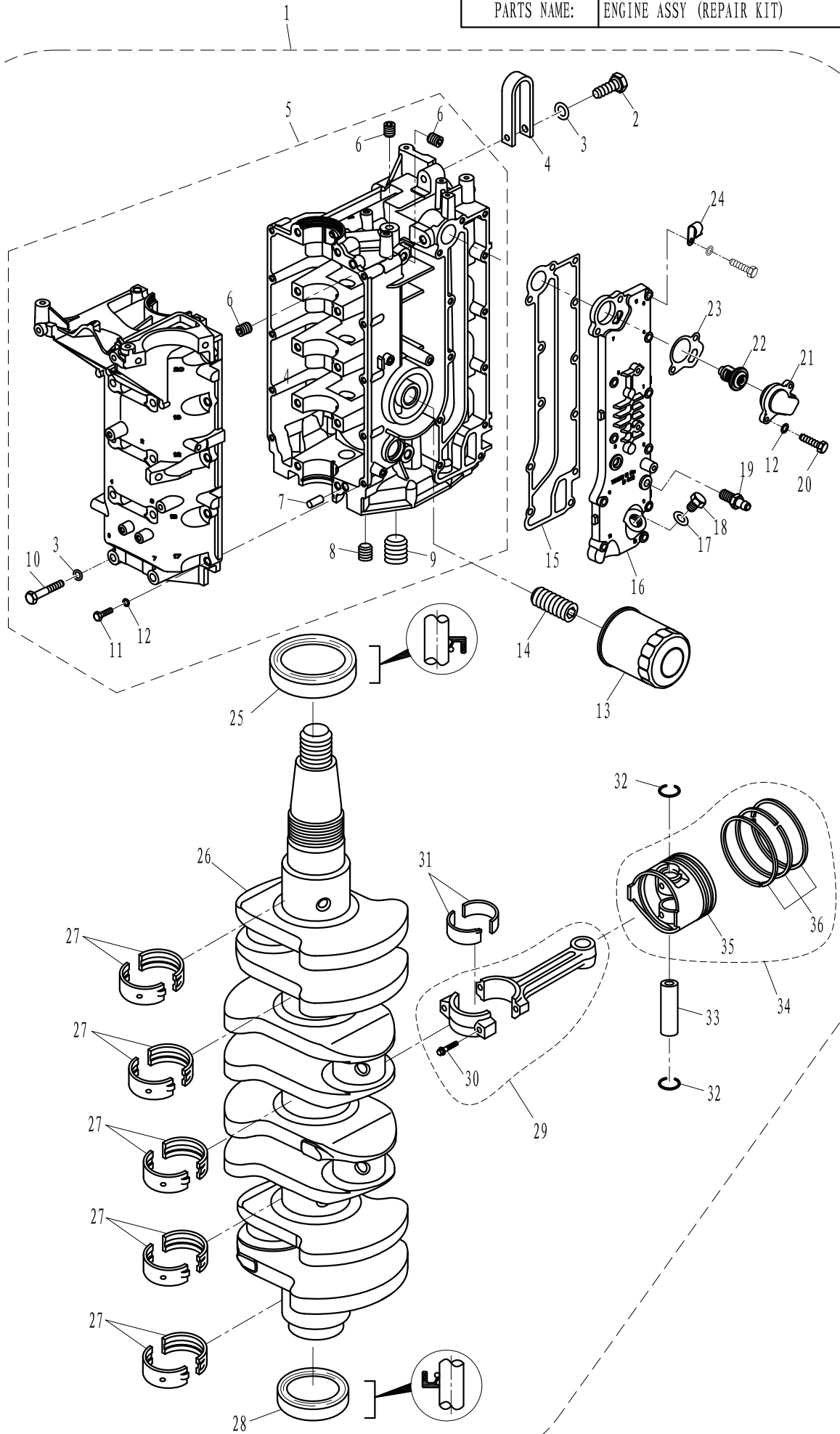
PARTS NAME: OUTER FUEL TANK (24L)





零部件名称: 发动机头组件 (维修件)

PARTS NAME: ENGINE ASSY (REPAIR KIT)

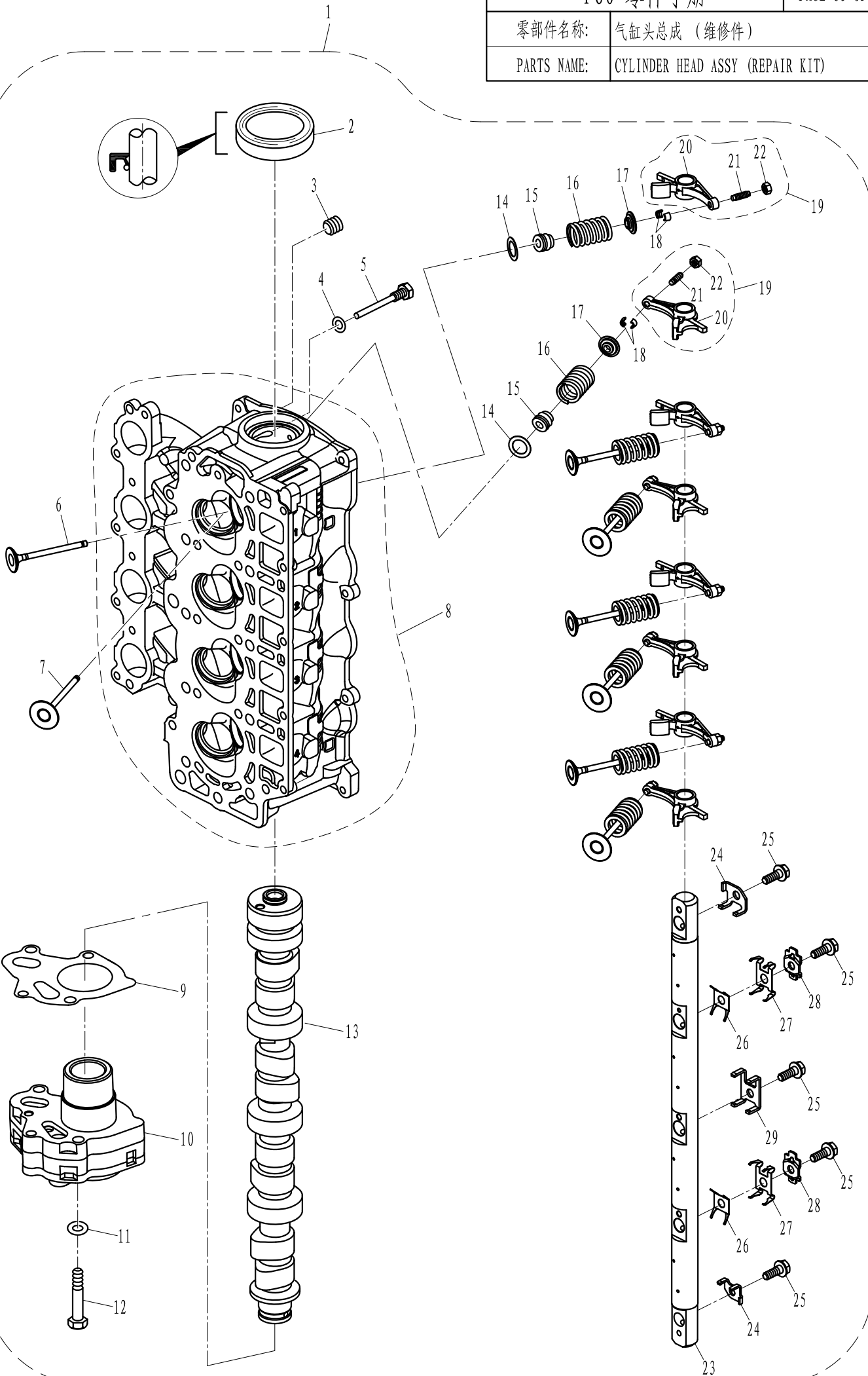






零部件名称: 气缸头总成 (维修件)

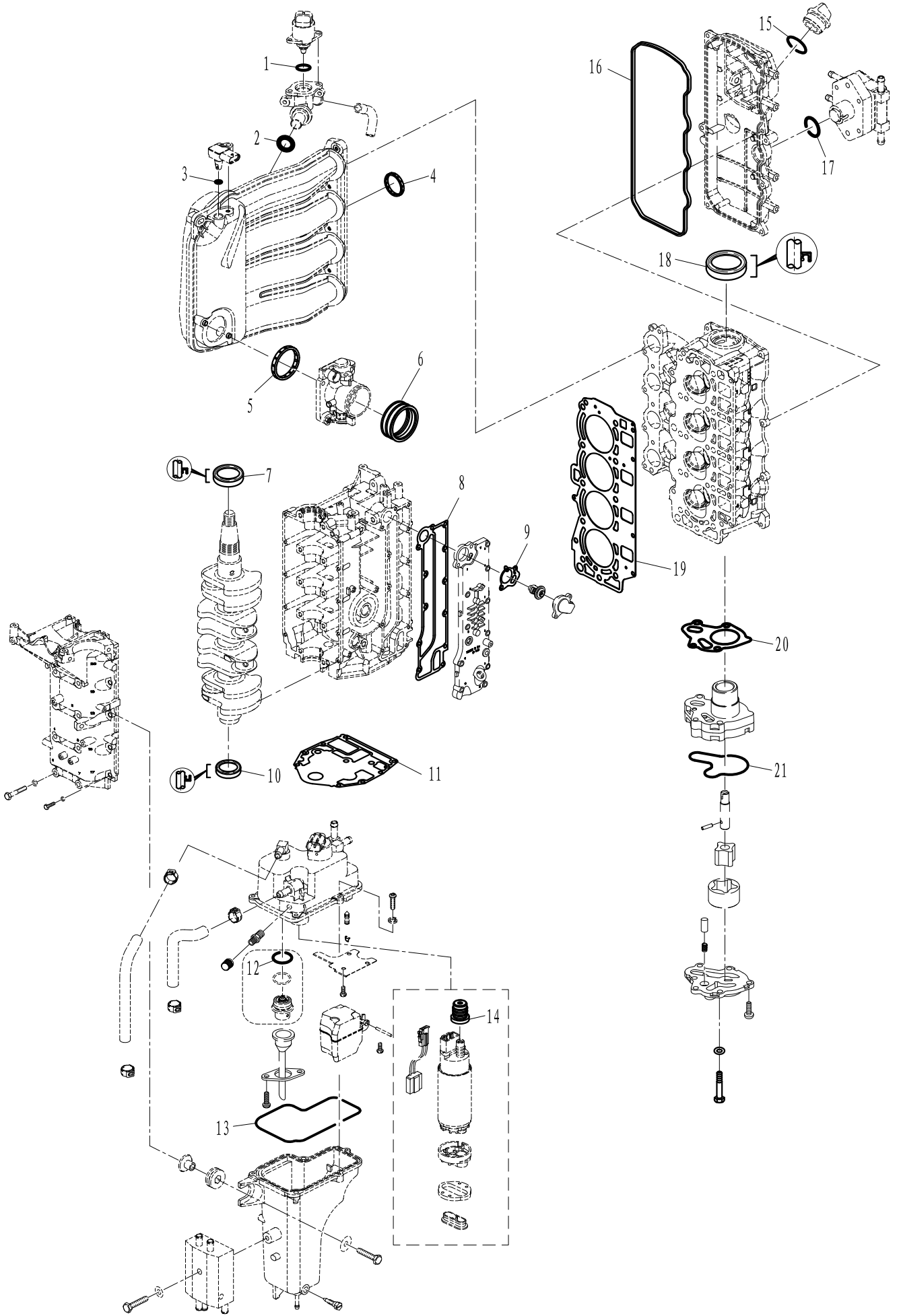
PARTS NAME: CYLINDER HEAD ASSY (REPAIR KIT)





零部件名称: 附件 1 (维修件)

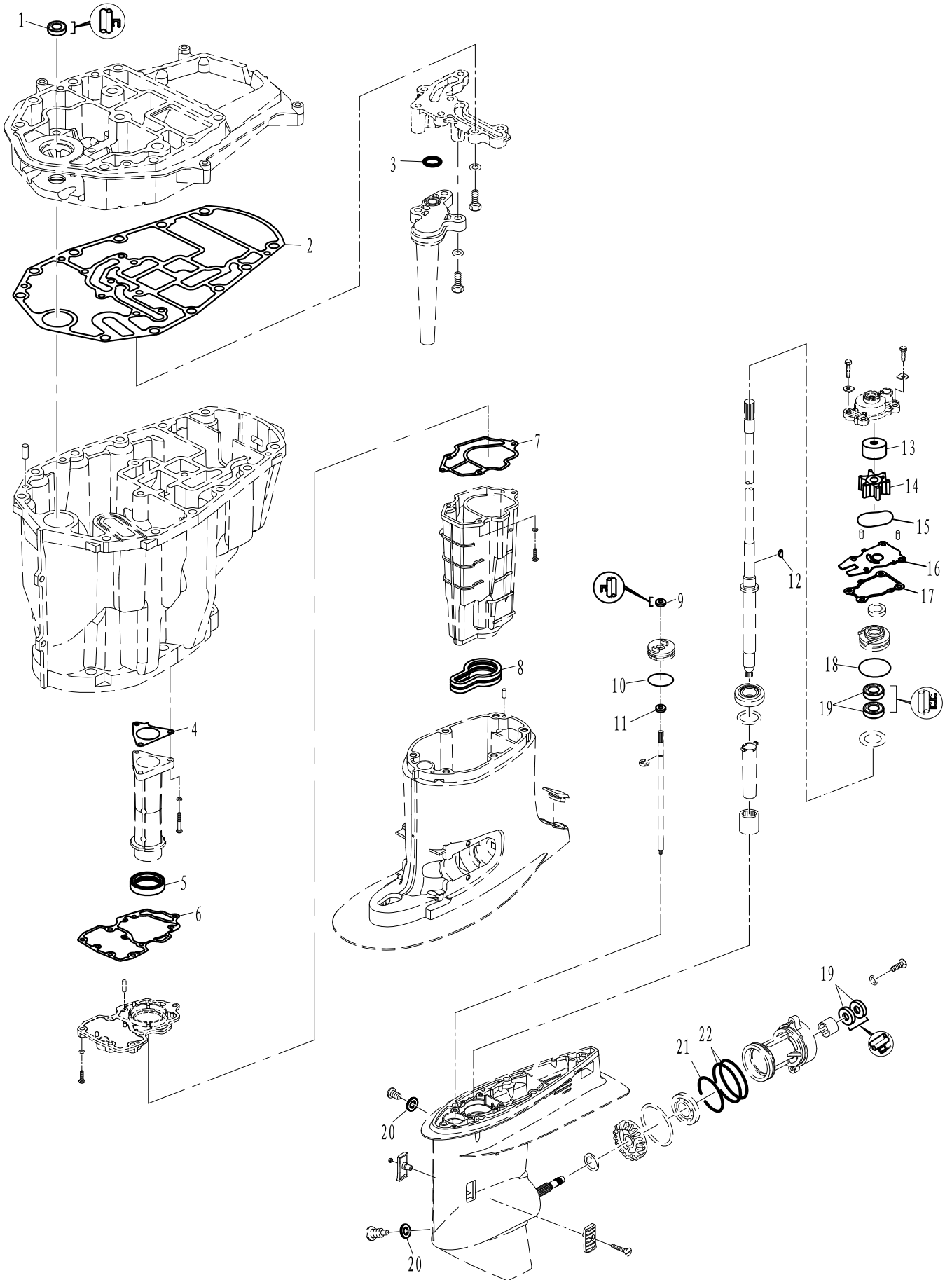
PARTS NAME: APPENDIX 1 (REPAIR KIT)





零部件名称: 附件 2 (维修件)

PARTS NAME: APPENDIX 2 (REPAIR KIT)





零部件名称:

零件目录检索表

PARTS NAME:

PARTS CATALOGUE INDEX

零件代号 PART NO.	页码/序号 PAGE/NO.	零件代号 PART NO.	页码/序号 PAGE/NO.	零件代号 PART NO.	页码/序号 PAGE/NO.
HK-2220-JS	18-57	F8-05000022	30-20	F15-12000016W	57-37
JAS0-F404-19-007	17-24	F15-00000006	08-19	F15-13000001W	57-36
JAS0-F404-24-012	10-13		10-11	F15-13000002W	57-31
JAS0-F404-24-016	55-04		20-10	F15-13000003W	57-34
JAS0-F404-24-50	17-12	F15-00000009	15-05	F15-13000004W	57-35
JAS0-F404-31-035	17-23	F15-00000012	15-02	F15-13000005W	57-08
JAS0-F404-31-065	50-42	F15-01010007	02-16	F15-13000006W	58-47
JAS0-F404-35-025	30-02	F15-04000002	10-09	F15-13000007W	57-28
JB/T7271.1-M10x32	05-35	F15-04000003	10-08	F15-13000008W	57-39
JB/T9740.1-M6	02-19	F15-04000005	08-03	F15-13000011W	58-48
	05-18	F15-05000009	12-39	F15-13000012W	58-49
JIS-B-2401-P24	50-25	F15-05000022	12-36	F15-13000013W	57-17
JIS-B-2401-P40	50-16	F15-05000023	12-37	F15-13000014W	57-11
JIS-B-2407-P24T2	50-26	F15-05000026	12-32	F15-13000015W	58-51
JIS-B-2407-P40T2	50-15	F15-05000036	12-35	F15-13000202W	57-15
JIS-FG46	50-07	F15-07000021	24-21	F15-13000203W	57-14
KOYO-H1-CAP-332/32	18-39	F15-07000030	34-10	F15-13000300W	58-44
PS2700.04.03	38-03	F15-07000031	34-22	F15-13000400W	57-13
S7133-13.3	40-13	F15-07010003	34-14	F15-13000601W	57-41
	42-09	F15-07010004	34-05	F15-13000602W	58-45
	44-09	F15-07010005	30-13	F15-13000700W	57-40
	60-11	F15-07010021	34-21	F15-13000800W	57-33
6007-P5C4	18-52	F15-07010022	34-23	F15-13010001W	58-56
		F15-07040006	38-05	F15-13010002W	58-57
		F15-07040007	38-06	F15-13010004W	58-62
		F15-07040303	38-09	F15-13010005W	58-61
DPR7EA-9	30-19	F15-07040304	38-10	F15-13010008W	58-63
E4-06000009	05-42	F15-07050004	30-01	F15-13010009W	58-60
E4-07020015W	58-65	F15-07080001	40-06	F15-13010010W	58-52
E4-10040100W	58-55	F15-07110003	36-20	F15-13020000W	57-24
E10-01010004	48-22	F15-07130314W	15-12	F15-13020001W	57-16
E10-01010007	48-18	F15-07150300W	26-14	F15-13020002W	57-20
E10-01010008	48-04	F15-07150301W	26-15	F15-13020003W	57-21
F4-01090006	05-06		44-07	F15-13020004W	57-22
F4-01090007	05-04	F15-07150501W	26-05	F15-13020005W	57-18
F4-01090300	05-01	F15-09000000	60-01	F15-13020006W	57-09
F4-01090401	06-50	F15-09000001	60-12	F15-13020007W	57-07
	57-12	F15-09000002	60-14	F15-13020100W	57-19
F4-03000023	17-27	F15-09010000	60-15		
F4-03000024	17-28	F15-09020000	60-10		
F4-04000019	36-05	F15-09030000	60-13		
F4-04000030	40-10	F15-10000000	60-02		
F4-04090005	40-27	F15-10000001	60-09		
F4-04090011	40-26	F15-10000002	60-08	F20-03000101	12-26
F4-04120003	24-05	F15-10000003	60-07	F20-03000202W	12-20
F4-04120106	06-47	F15-10010000	60-03	F25-00000004	12-28
F4-05000200	12-03	F15-10020000	60-06	F25-00000014	08-02
F8-00000005	22-10	F15-11000001W	57-10		30-21
F8-05000007	24-22	F15-11000002W	57-05		34-06
F8-05000021	24-24	F15-12000013W	58-50	F25-01010009	05-25



零部件名称:

零件目录检索表

PARTS NAME:

PARTS CATALOGUE INDEX

零件代号 PART NO.	页码/序号 PAGE/NO.	零件代号 PART NO.	页码/序号 PAGE/NO.	零件代号 PART NO.	页码/序号 PAGE/NO.
F25-01010011	02-17	F25-05050007	30-14	F40-05000008	36-04
F25-01010012W	55-03	F25-05050009	38-13	F40-05000009-1EFI	24-26
F25-03000002	13-44	F25-05050011	38-16	F40-05000017W	15-01
F25-03000006	12-29	F25-05050012	38-17	F40-05000026EFI	28-15
F25-03000007	12-30	F25-05050016	36-10	F40-05000034	22-09
F25-03000019	12-31	F25-05050018	36-08	F40-05000036	40-04
F25-03000022W	12-43	F25-05050019	38-14	F40-05000037	34-18
F25-03000023W	12-10	F25-05050021	30-12	F40-05000038	34-17
F25-03000100W	12-12	F25-05050300	38-07	F40-05000040EFI	44-08
F25-03000101W	12-13	F25-05050301	38-08	F40-05000042EFI	24-16
F25-03000102W	12-14	F25-05090004	42-37	F40-05000049EFI	24-30
F25-03000103W	12-15	F25-05090005	42-36	F40-05000059EFI	24-11
F25-03000104W	12-16	F25-05130001	40-21	F40-05000060EFI	24-06
F25-03020000	12-34	F25-05130002	40-23	F40-05000500EFI	24-14
F25-04000007	08-13	F25-05130003	40-20	F40-05000600EFI	22-08
	17-07	F25-05130004	40-19	F40-05001000-1EFI	26-19
F25-04000015	17-16	F25-05130005	40-29	F40-05001000-2EFI	
F25-04000031	17-31	F25-05130006A	40-30	F40-05001000-3EFI	
F25-04010003	17-13	F25-05130007	40-31	F40-05001000-4EFI	
F25-05000002	30-17	F25-05130008	40-24	F40-05020100	32-10
F25-05000003	15-25	F25-05130100	40-25	F40-05020101	32-11
	30-16	F25-05170001W	26-23	F40-05030500EFI	24-34
F25-05000021	36-02	F25-05170201W	26-21	F40-05040002	38-15
F25-05000023	36-03	F25-05170202W	26-11	F40-05040003	38-18
F25-05000024	22-11	F25-06000004	46-08	F40-05040006	36-09
F25-05000025	22-05	F25-06000006	46-06	F40-05040400	36-13
F25-05000026	22-04	F25-06000100	46-10	F40-05040401	36-14
F25-05000035	34-09	F25-07000006W	55-05	F40-05040402	36-19
F25-05000100	34-13	F25-07000007W	57-30	F40-05040403	36-18
F25-05010103	34-08	F25-07000301W	55-10	F40-05040404	36-16
F25-05010104	34-07	F25-07000302W	55-11	F40-05040405	36-15
F25-05010106	34-03	F25-07000303W	55-09	F40-05040406	36-22
F25-05010107	30-06	F25-07000304W	55-08	F40-05040407	36-12
F25-05010113	34-19			F40-05040408	36-21
F25-05010302-1	32-03			F40-05050000	40-18
F25-05010302-2				F40-05050200	40-28
F25-05020002	32-04			F40-05070002	30-05
F25-05020003	32-01			F40-05090300EFI	44-05
F25-05020102	32-12	F40-00000002	08-21	F40-05090400EFI	28-20
F25-05020105	32-09	F40-00000003	34-12	F40-05090401EFI	28-31
F25-05020106	32-08	F40-00000006D	53-08	F40-05090403EFI	28-19
F25-05020200	32-05	F40-02000010	20-12	F40-05090408EFI	28-23
F25-05020203-1	32-07	F40-03000008	12-41	F40-05090500EFI	28-05
F25-05020203-2		F40-03000013EFI	26-08	F40-05090501EFI	28-08
F25-05020204	32-06	F40-03000016	34-27	F40-05090502EFI	28-09
F25-05050001	38-11	F40-03000300EFI	12-25	F40-05090503-1EFI	28-07
F25-05050002	38-01	F40-03000600W	12-40	F40-05090503EFI	28-06
F25-05050003	38-02	F40-05000003	24-12	F40-05090600EFI	28-03
F25-05050005	38-04			F40-05090601EFI	28-04
F25-05050006	30-15	F40-05000007	36-01	F40-05090700EFI	24-15

零部件名称:

零件目录检索表

PARTS NAME:

PARTS CATALOGUE INDEX

零件代号 PART NO.	页码/序号 PAGE/NO.	零件代号 PART NO.	页码/序号 PAGE/NO.	零件代号 PART NO.	页码/序号 PAGE/NO.
F40-05090803EFI	28-17	F60-00000007	15-34	F60-02010006	10-05
F40-05091100EFI	44-06	F60-00000008	15-17	F60-02010007	08-08
F40-05091400EFI	24-07	F60-00000009	15-30	F60-02010008	08-12
F40-05091401EFI	24-03	F60-00000011	48-13	F60-02010009	08-14
F40-05091402EFI	24-04	F60-00000012B	48-21	F60-02010010	08-16
F40-05091500EFI	24-31	F60-00000012C	48-12	F60-02010011	08-17
F40-05100000EFI	42-07	F60-00000013B	48-19	F60-02010012	08-11
F40-05100001EFI	42-26	F60-00000013C	48-11	F60-02010013	08-07
F40-05100002EFI	42-27	F60-00000014	13-45	F60-02020000	02-03
F40-05100003EFI	42-24	F60-00000015	48-02	F60-03000001	12-01
F40-05100004EFI	42-11	F60-00000100	03-45	F60-03000003	12-08
F40-05100010EFI	42-10	F60-00000200	15-32	F60-03000005BW	13-47
F40-05100100EFI	42-08	F60-00000204	15-27	F60-03000005FW	12-05
F40-05100201EFI	42-13	F60-00000205	15-26	F60-03000006BW	13-48
F40-05100202EFI	42-12	F60-00000300	15-21	F60-03000006FW	12-02
F40-05100301EFI	42-22	F60-01000001	03-48	F60-03000007	55-02
F40-05100302EFI	42-23	F60-01000004	55-07	F60-03000008	12-23
F40-05100500EFI	42-28	F60-01000100BW	06-51	F60-03000012	40-11
F40-05100501EFI	42-30	F60-01000101BW	06-55	F60-03000100	12-38
F40-05100502EFI	42-33	F60-01010001	02-36	F60-03000300	12-18
F40-05100503EFI	42-32	F60-01010001FW	48-06	F60-03000301	12-19
F40-05100504EFI	42-31	F60-01010002	02-13	F60-04000000	18-60
F40-05100505EFI	42-29	F60-01010002FW	48-03	F60-04000001	17-32
F40-05100511EFI	44-11	F60-01010003A	02-37	F60-04000002	17-34
F40-05100600-1EFI	42-16	F60-01010004	02-18	F60-04000003	18-37
F40-05100600EFI	42-14	F60-01010005B	48-15	F60-04000004	17-26
F40-05100601EFI	42-15	F60-01010101	02-27	F60-04000008	17-10
F40-05100602EFI	42-17	F60-01010102	02-32	F60-04000009	17-08
F40-05100603EFI	42-18	F60-01010103	02-23	F60-04000101	17-22
F40-05100701EFI	42-35	F60-01010104	02-11	F60-04000300	17-05
F40-05100703EFI	42-42	F60-01010200A	02-35	F60-04000401	17-03
F40-05100704EFI	42-34	F60-01020000	02-06	F60-04000500	18-50
F40-05100800EFI	42-38	F60-01030000	06-48	F60-04000600	18-40
F40-06000007	46-15	F60-01030019	05-41	F60-04010000	17-15
F40-08000001	46-14	F60-01030100	05-08	F60-04020000	18-48
F40-08000002	46-03	F60-02000001	08-20	F60-04020001	18-47
F40-08010100EFI	57-04	F60-02000002	03-50	F60-04020002	18-43
F40-13000000EFI	57-01	F60-02000003	08-23	F60-04020003	18-44
F40-13000200EFI	57-03	F60-02000005	10-03	F60-04020005	18-41
		F60-02000006	10-04	F60-04030000	18-53
		F60-02000007	20-02	F60-05000001	32-02
		F60-02000008	08-18	F60-05000003	30-09
		F60-02000009A	10-10	F60-05000004	34-15
		F60-02000010	02-02	F60-05000005	34-16
F60-00000001	02-41	F60-02000011	02-01	F60-05000006	40-14
F60-00000002	03-46	F60-02010001	08-04	F60-05000008	44-10
F60-00000003	03-44	F60-02010002	08-01	F60-05000011	28-26
F60-00000004	02-40	F60-02010003	10-02	F60-05000012	15-03
F60-00000005	02-39	F60-02010004	10-12	F60-05000013	15-07
F60-00000006	15-22	F60-02010005	10-14	F60-05000014-1	15-15

零部件名称:

零件目录检索表

PARTS NAME:

PARTS CATALOGUE INDEX

零件代号 PART NO.	页码/序号 PAGE/NO.	零件代号 PART NO.	页码/序号 PAGE/NO.	零件代号 PART NO.	页码/序号 PAGE/NO.
F60-05000014-2	15-04	F60-06000000-M	48-20	F60-06020021	51-85
F60-05000015	15-06	F60-06000001	50-36	F60-06020100	51-63
F60-05000016	42-04	F60-06000002	50-32	F60-06020101	51-66
F60-05000017	15-14	F60-06000003	50-33	F60-06020102	51-65
F60-05000018	15-13	F60-06000004	50-34	F60-06020103	51-67
F60-05000019	42-03	F60-06000005	51-48	F60-06020200	51-69
F60-05000020	15-11	F60-06000006	51-46	F60-06020201	51-70
F60-05000021	10-01	F60-06000007	51-45	F60-06030000	50-40
F60-05000023	24-20	F60-06000008	50-43	F60-07000000	46-01
F60-05000024A	44-04	F60-06000009	51-44	F60-07000001	46-04
F60-05000025	42-01	F60-06000010	51-50	F60-07000002	46-07
F60-05000026	34-28	F60-06000011	50-31	F60-07000003	46-02
F60-05000028	34-25	F60-06000101	50-30	F60-07000004	46-11
F60-05000030	34-29	F60-06000102	50-29	F60-08000003	46-16
F60-05000031	24-23	F60-06000200	50-27	F60-08000005	46-05
F60-05000032	34-33	F60-06000201	50-28	F60-08000300W	55-12
F60-05000036	24-32	F60-06010000	50-02		
F60-05000037	34-30	F60-06010002	50-05		
F60-05000040	34-32	F60-06010003	50-04		
F60-05000041A	22-01	F60-06010004	50-18		
F60-05000042	26-26	F60-06010006	50-19		
F60-05000043	28-24	F60-06010007	50-20	T15-01020003	06-49
F60-05000045	44-01	F60-06010008	50-21	T15-04040005	15-09
F60-05000047	34-26	F60-06010009	50-22	T20-03000006	15-28
F60-05000048	28-27	F60-06010010	50-23	T20-06000037W	15-33
F60-05000050	34-31	F60-06010100	50-03	T20-13000500W	57-27
F60-05000051EFI	40-12	F60-06010200	50-08	T36-02000006	08-22
F60-05000052	22-15	F60-06010201	50-09	T36-02020003	02-43
F60-05000053	42-06	F60-06010203	50-13	T36-03000403	18-42
F60-05000054	42-05	F60-06010204	50-11	T40-00000008	36-06
F60-05000100	30-22	F60-06020000	51-51	T40-00000009	20-16
F60-05000200	22-14	F60-06020001	51-61	T40-00000010	20-15
F60-05000300	22-06	F60-06020002	51-72	T40-02000002	20-03
F60-05000500	26-27	F60-06020003	51-73	T40-04000002	17-19
F60-05000600	24-19	F60-06020004	51-68	T40-04000003	17-18
F60-05000601	24-17	F60-06020005	51-71	T40-04000003-1	
F60-05000800	26-03	F60-06020006	51-59	T40-04000003-2	
F60-05000900	26-18	F60-06020007	51-60	T40-04000003-3	
F60-05000900-B		F60-06020008	51-58	T40-04000003-4	
F60-05001000	24-29	F60-06020009	51-57	T40-04000003-5	
F60-05001000-B		F60-06020010	51-79	T40-04000003-6	
F60-05001100	28-18	F60-06020011	51-80	T40-04000003-7	
F60-05010000	34-04	F60-06020012	51-78	T40-04000004	18-38
F60-05020001	38-12	F60-06020013	51-77	T40-04000004-1	
F60-05020100	30-18	F60-06020014	51-56	T40-04000004-2	
F60-05020201	36-11	F60-06020015	51-55	T40-04000004-3	
F60-05030000	30-03	F60-06020017	51-81	T40-04000004-4	
F60-05030001	30-04	F60-06020018	51-82	T40-04000004-5	
F60-05030002	30-07	F60-06020019	51-83	T40-04000004-6	
F60-06000000	50-01	F60-06020020	51-84	T40-04000004-7	

零部件名称:

零件目录检索表

PARTS NAME:

PARTS CATALOGUE INDEX

零件代号 PART NO.	页码/序号 PAGE/NO.	零件代号 PART NO.	页码/序号 PAGE/NO.	零件代号 PART NO.	页码/序号 PAGE/NO.
T40-04000006	17-33	T60-03000300W	26-16	T85-05000301	40-09
T40-04000008	17-14	T85-00000002	02-42	T85-05000302	40-07
T40-04000010	17-09	T85-00000012	08-05	T85-05030002	26-10
T40-04000012	17-02	T85-00000016	48-07	T85-05030003	24-33
T40-04000013	20-06	T85-00000017	48-08	T85-05030200	26-04
T40-04000014	20-05	T85-00000020	03-47	T85-06010002	50-39
T40-04000018	20-17	T85-00010008	15-20	T85-06010009	50-37
T40-04000019	20-19	T85-00010010	15-16	T85-06010204	51-75
T40-04000020	20-20	T85-01010003	02-14	T85-06010205	51-74
T40-04000021	20-21	T85-01010007	48-09	T85-06010403	50-14
T40-04000022	17-35	T85-01010203	02-12	T85-06020015	51-47
T40-04000023	17-30	T85-01010206	02-22	T85-08000100W	55-01
T40-04000026	17-20	T85-01010207	02-24		
T40-04000027	17-17	T85-01010208	02-25		
T40-04000202	17-04	T85-01010210	02-20		
T40-04000203	20-01	T85-01010400	53-12		
T40-04000204	20-04	T85-01010403	53-11		
T40-04000205	17-06	T85-01010701BW	06-52		
T40-04040001	17-11	T85-01010702BW	06-54		
T40-04050004	18-45	T85-01010705BW	06-56		
T40-04050005	18-46	T85-01020002	02-28		
T40-04050007	18-49	T85-01020003	02-29		
T40-04060001	18-56	T85-01020004	02-30		
T40-04060002	18-54	T85-01020005	02-31		
T40-04060003	18-55	T85-01020006	02-38		
T40-04060005	18-51	T85-01020008	02-07		
T40-04060005-1		T85-01020010	03-51		
T40-04060005-2		T85-01030002	05-12		
T40-04060005-3		T85-01030002-1	05-13		
T40-04060005-4		T85-01030003	06-44		
T40-04060005-5		T85-01030005	05-15		
T40-04060005-6		T85-01030007	05-24		
T40-04060005-7		T85-01030008	06-46		
T40-04070000-11	20-18	T85-01030009	05-38		
T40-04070000-12		T85-01030010	05-36		
T40-04070000-13		T85-01030011A	05-34		
T40-10000001	50-17	T85-01030012	05-31		
T5-04000200	42-02	T85-01030013	05-27		
T60-00010003	15-29	T85-01030014	05-29		
T60-01010004	53-04	T85-01030015	05-20		
T60-01010005	53-02	T85-01030016	05-21		
T60-01010006	48-16	T85-01030017	05-22		
T60-01010006	53-03	T85-01030102	05-11		
T60-01010101	53-10	T85-01030301	05-26		
T60-01020000	53-05	T85-01030500	05-39		
T60-01020001D	53-07	T85-03000004	12-42		
T60-01030001	05-07	T85-04000011	17-21		
T60-01030002	05-14	T85-05000022	26-17		
T60-01030003	05-16	T85-05000023	26-20		
T60-01030101	05-05	T85-05000300	40-05		