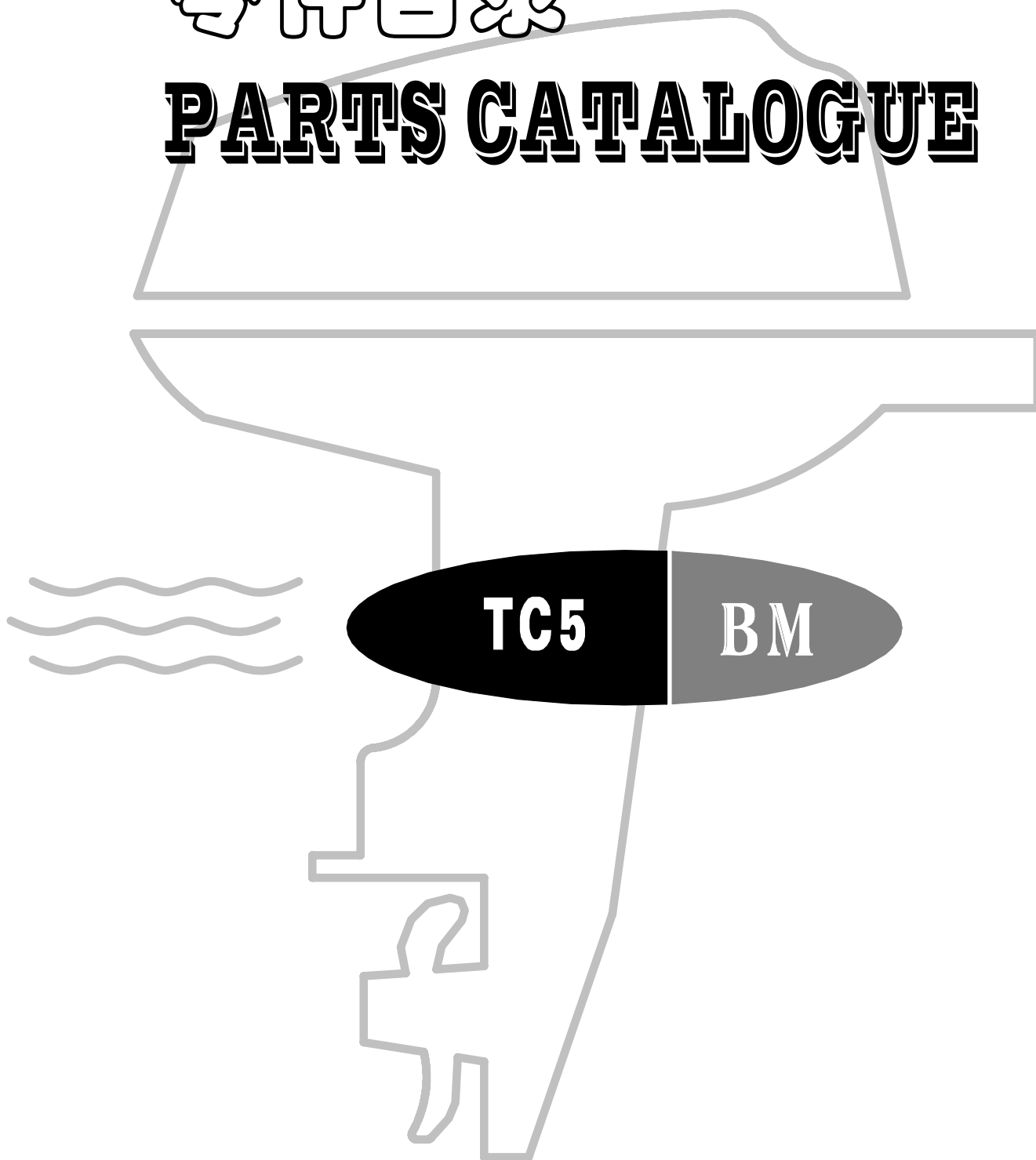




百胜

零件目录

**PARTS CATALOGUE**



苏州百胜动力机器股份有限公司

# 目次

## CONTENTS

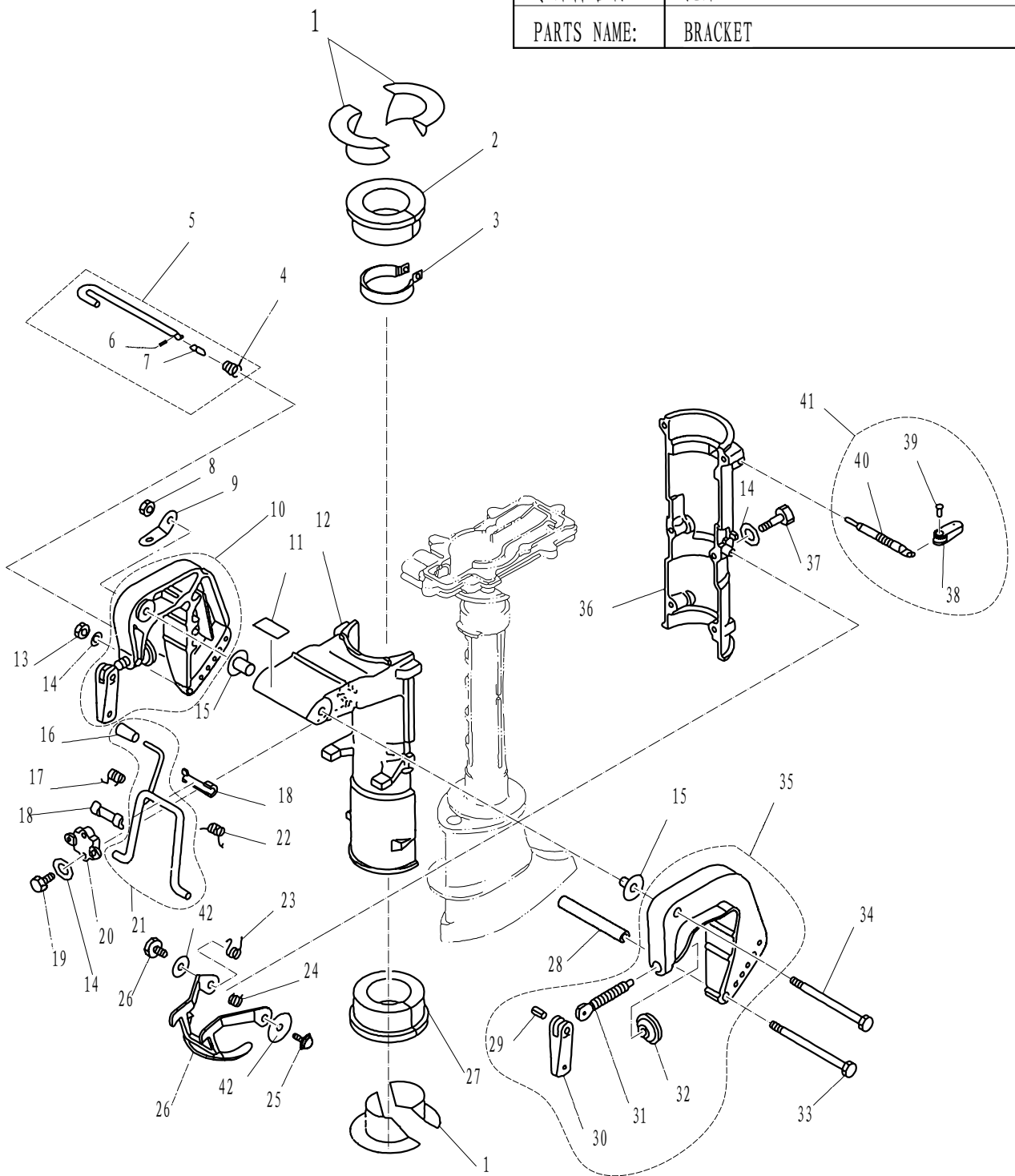
|                                     |         |
|-------------------------------------|---------|
| 托架 — — — — —                        | 1 ~ 2   |
| BRACKET — — — — —                   | 1 ~ 2   |
| 操舵系统 — — — — —                      | 3 ~ 4   |
| STEERING — — — — —                  | 3 ~ 4   |
| 水上装置壳体 — — — — —                    | 5 ~ 6   |
| UPPER CASING — — — — —              | 5 ~ 6   |
| 底罩 — — — — —                        | 7       |
| BOTTOM COWLING — — — — —            | 7       |
| 控制系统 — — — — —                      | 8 ~ 9   |
| CONTROL SYSTEM — — — — —            | 8 ~ 9   |
| 水下驱动组件 — — — — —                    | 10 ~ 11 |
| LOWER DRIVE ASSY — — — — —          | 10 ~ 11 |
| 水下装置壳体&驱动系统 — — — — —               | 12      |
| LOWER CASING & DRIVE — — — — —      | 12      |
| 电气系统 — — — — —                      | 13 ~ 14 |
| ELECTRICAL SYSTEM — — — — —         | 13 ~ 14 |
| 曲轴&活塞 — — — — —                     | 15 ~ 16 |
| CRANKSHAFT & PISTON — — — — —       | 15 ~ 16 |
| 曲轴箱 — — — — —                       | 17 ~ 18 |
| CRANKCASE — — — — —                 | 17 ~ 18 |
| 燃油系统 — — — — —                      | 19 ~ 20 |
| FUEL SYSTEM — — — — —               | 19 ~ 20 |
| 化油器总成 — — — — —                     | 21 ~ 22 |
| CARBURETOR ASSY — — — — —           | 21 ~ 22 |
| 起动器 — — — — —                       | 23 ~ 24 |
| STARTER — — — — —                   | 23 ~ 24 |
| 顶罩组件 — — — — —                      | 25 ~ 26 |
| TOP COWLING ASSY — — — — —          | 25 ~ 26 |
| 发动机总成(维修件) — — — — —                | 27 ~ 28 |
| ENGINE ASSY (REPAIRE KIT) — — — — — | 27 ~ 28 |
| 附录1(修理件) — — — — —                  | 29 ~ 30 |
| APPENDIX 1 (REPATE KIT) — — — — —   | 29 ~ 30 |
| 附录2(修理件) — — — — —                  | 31      |
| APPENDIX 2 (REPAIRE KIT) — — — — —  | 31      |

零部件名称:

托架

PARTS NAME:

BRACKET

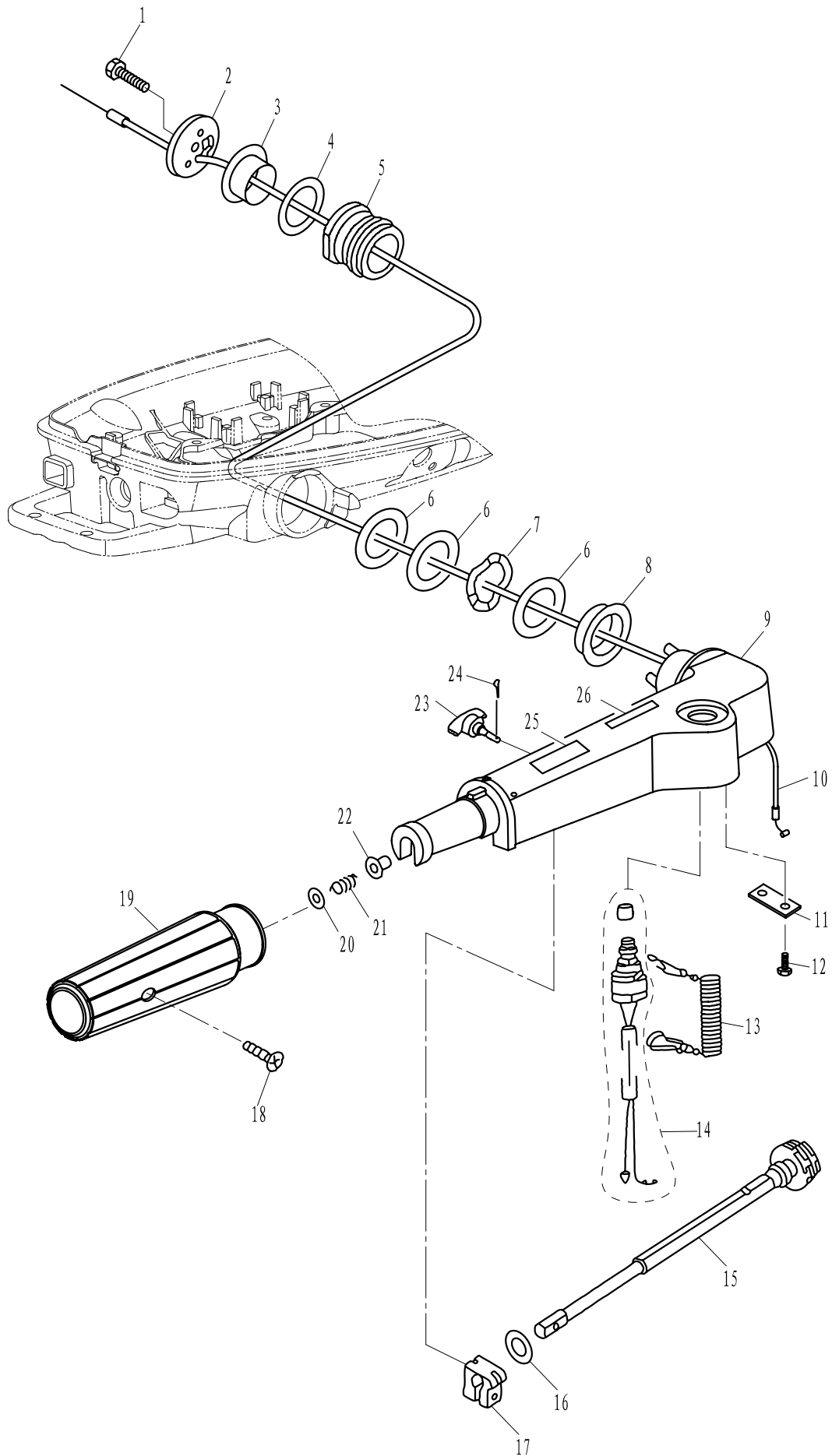


| SN.<br>参照号码 | PART NO.<br>零件编号 | DESCRIPTION<br>零件名称(中文) | DESCRIPTION<br>零件名称(英文) | QTY<br>数量 |  |  |  | REMARKS<br>备注 |
|-------------|------------------|-------------------------|-------------------------|-----------|--|--|--|---------------|
| 1           | F4-0200008       | 减震圈衬管                   | BUSH ,SHOCK ABSORPTION  | 4         |  |  |  |               |
| 2           | F4-0200007       | 上减震圈                    | TOP ,SHOCK ABSORPTION   | 1         |  |  |  |               |
| 3           | F4-0202000       | 水上装置锁紧圈组件               | UPPER LOCKING RING ASSY | 1         |  |  |  |               |
| 4           | F4-01050002      | 锥形弹簧                    | SPRING ,CONICAL         | 1         |  |  |  |               |
| 5           | F4-01050000      | 角度调整杆组件                 | TILT ROD ASSY           | 1         |  |  |  |               |



零部件名称: 操舵系统

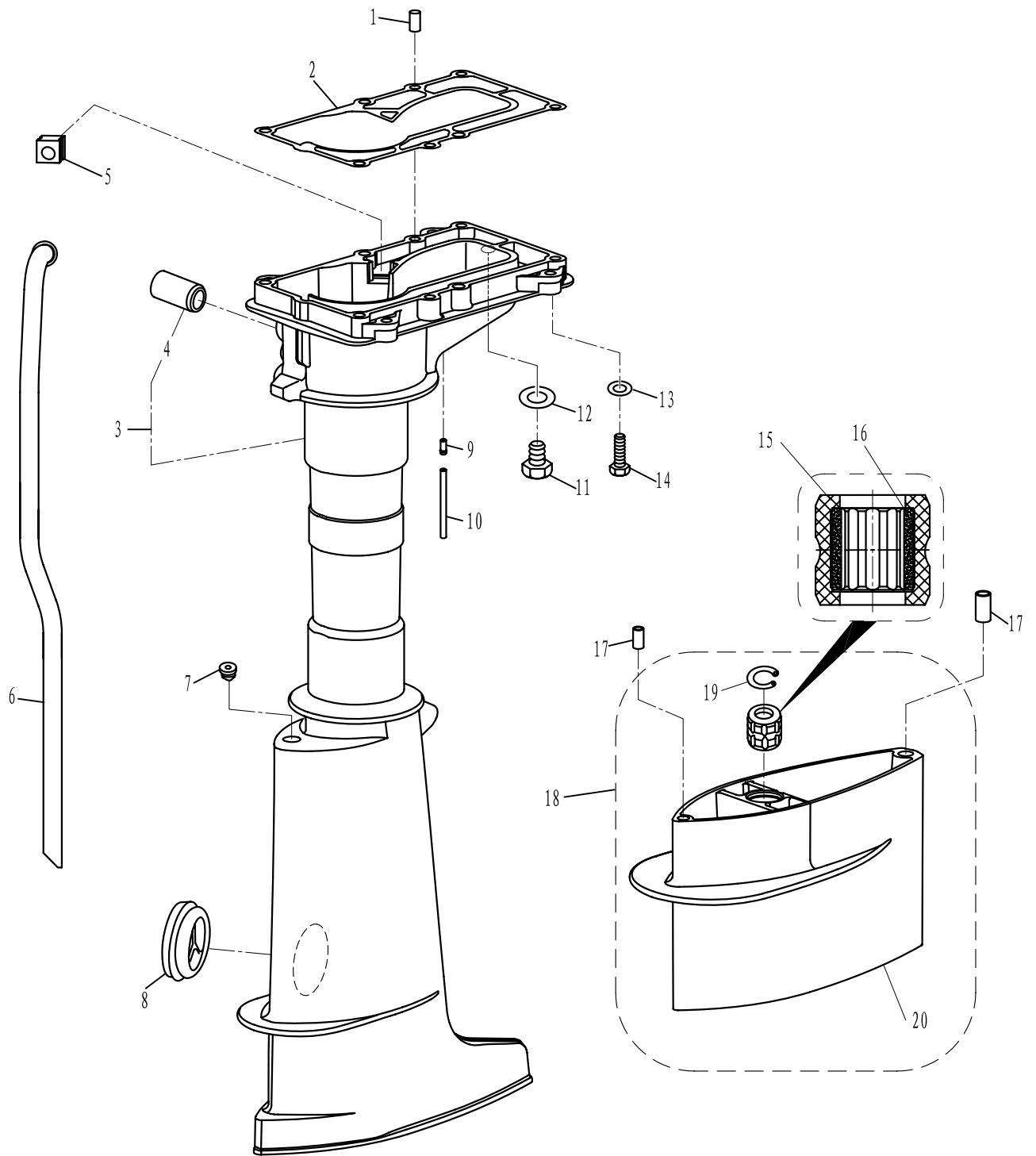
PARTS NAME: STEERING





零部件名称: 水上装置壳体

PARTS NAME: UPPER CASING





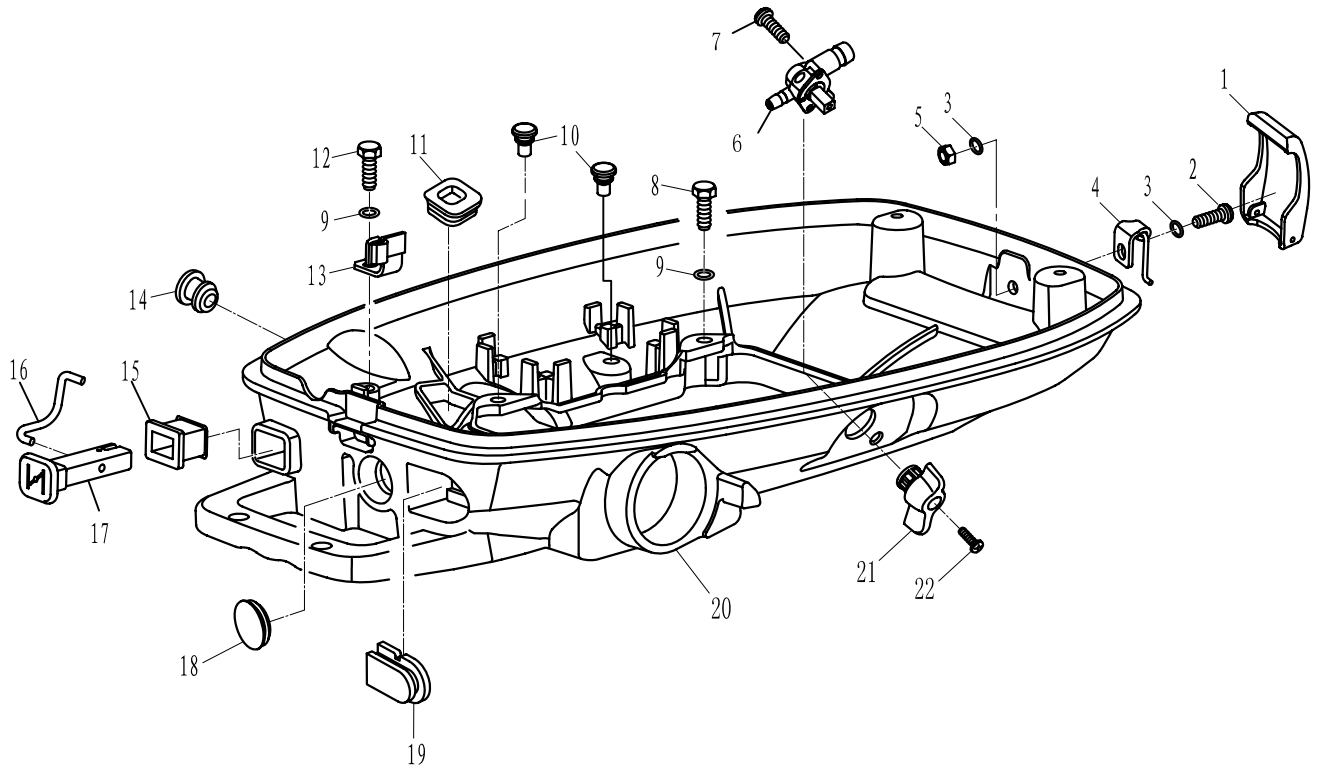


零部件名称:

底罩

PARTS NAME:

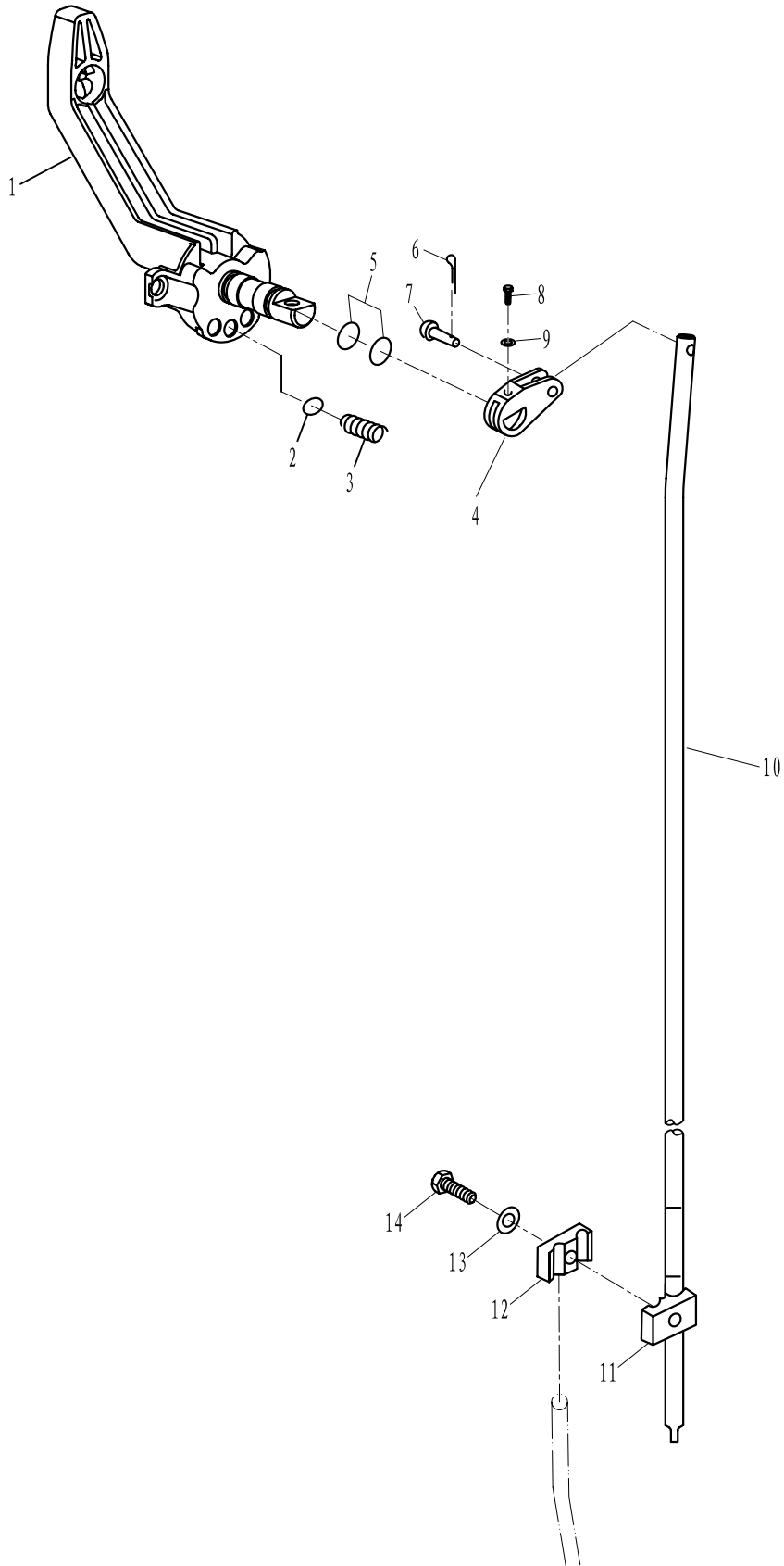
BOTTOM COWLING



| SN.<br>参照号码 | PART NO.<br>零件编号 | DESCRIPTION<br>零件名称 (中文) | DESCRIPTION<br>零件名称 (英文)    | QTY<br>数量 |  |  |  |  | REMARKS<br>备注 |
|-------------|------------------|--------------------------|-----------------------------|-----------|--|--|--|--|---------------|
| 1           | F4-0500023       | 顶罩锁紧钩                    | HOOK, LOCK                  | 1         |  |  |  |  |               |
| 2           | GB/T818-M5x14    | 十字槽盘头螺钉 M5x14            | SCREW, PAN HEAD M5x14       | 1         |  |  |  |  |               |
| 3           | GBT97.1-5        | 平垫圈 5                    | WASHER 5                    | 2         |  |  |  |  |               |
| 4           | F4-0500020       | 顶罩锁紧钩座组件                 | SEAT ASSY, LOCKING HOOK     | 1         |  |  |  |  |               |
| 5           | GB/T889.1-M5     | 非金属嵌件六角锁紧螺母M5            | LOCKNUT M5                  | 1         |  |  |  |  |               |
| 6           | T5-04000100      | 燃油开关组件                   | OIL SWITCH ASSY             | 1         |  |  |  |  |               |
| 7           | GB/T818-M6x16    | 十字槽盘头螺钉M6x16             | SCREW, PAN HEAD M6x16       | 2         |  |  |  |  |               |
| 8           | GB/T5783-M6x16   | 六角螺栓 M6x16               | BOLT M6x16                  | 4         |  |  |  |  |               |
| 9           | GBT97.1-6        | 平垫圈 6                    | WASHER 6                    | 5         |  |  |  |  |               |
| 10          | TC5-04000016     | 针形堵头                     | PLUG                        | 2         |  |  |  |  |               |
| 11          | T5-04000010      | 连杆橡胶圈                    | RUBBER LOOP, CONNECTING ROD | 1         |  |  |  |  |               |
| 12          | GB/T5783-M6x12   | 六角螺栓 M6x12               | BOLT M6x12                  | 1         |  |  |  |  |               |
| 13          | T5-04000300      | 油门钢索固定架                  | PLATE, TIGHTWIRE            | 1         |  |  |  |  |               |
| 14          | T5-04000014      | 圆形堵头B                    | CIRCULAR PLUG B             | 1         |  |  |  |  |               |
| 15          | T5-04000013      | 阻风门橡胶套                   | BUSH, AIR CHOKE             | 1         |  |  |  |  |               |
| 16          | T5-04000012      | 阻风门连杆                    | CONNECTING ROD, AIR CHOKE   | 1         |  |  |  |  |               |
| 17          | T5-04000008      | 阻风门手柄                    | HANDLE, AIR CHOKE           | 1         |  |  |  |  |               |
| 18          | T5-04000011      | 圆形堵头A                    | CIRCULAR PLUG A             | 1         |  |  |  |  |               |
| 19          | TC5-04000015     | 堵塞                       | JAM                         | 1         |  |  |  |  |               |
| 20          | T5-04000001      | 底罩                       | BOTTOM COWLING              | 1         |  |  |  |  |               |
| 21          | T5-04000102      | 油开关旋钮                    | KNOB, OIL SWITCH            | 1         |  |  |  |  |               |
| 22          | GB/T818-M4x12    | 十字槽盘头螺钉M4x12             | SCREW, PAN HEAD M4x12       | 1         |  |  |  |  |               |

零部件名称: 控制系统

PARTS NAME: CONTROL SYSTEM



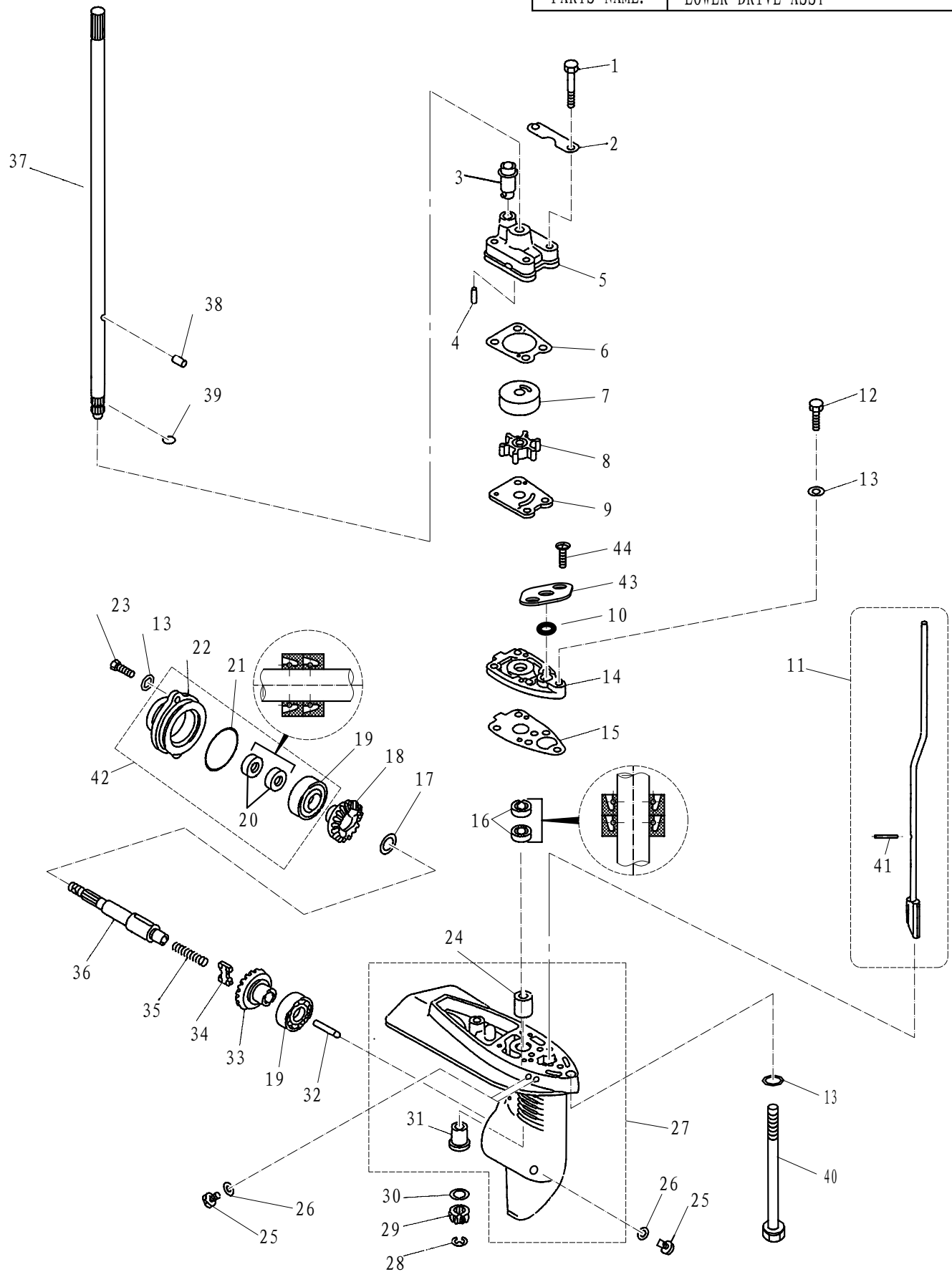


零部件名称:

水下驱动组件

PARTS NAME:

LOWER DRIVE ASSY



| SN.<br>参照号码 | PART NO.<br>零件编号 | DESCRIPTION<br>零件名称(中文) | DESCRIPTION<br>零件名称(英文)  | QTY<br>数量 |  |  |  |  | REMARKS<br>备注 |
|-------------|------------------|-------------------------|--------------------------|-----------|--|--|--|--|---------------|
| 1           | GB/T5782-M6x45   | 六角头螺栓M6×45              | BOLT M6×45               | 4         |  |  |  |  |               |
| 2           | F4-03000020      | 泵壳固定板                   | PLATE , WATER PUMP FIXED | 2         |  |  |  |  |               |

零部件名称:

水下驱动组件

PARTS NAME:

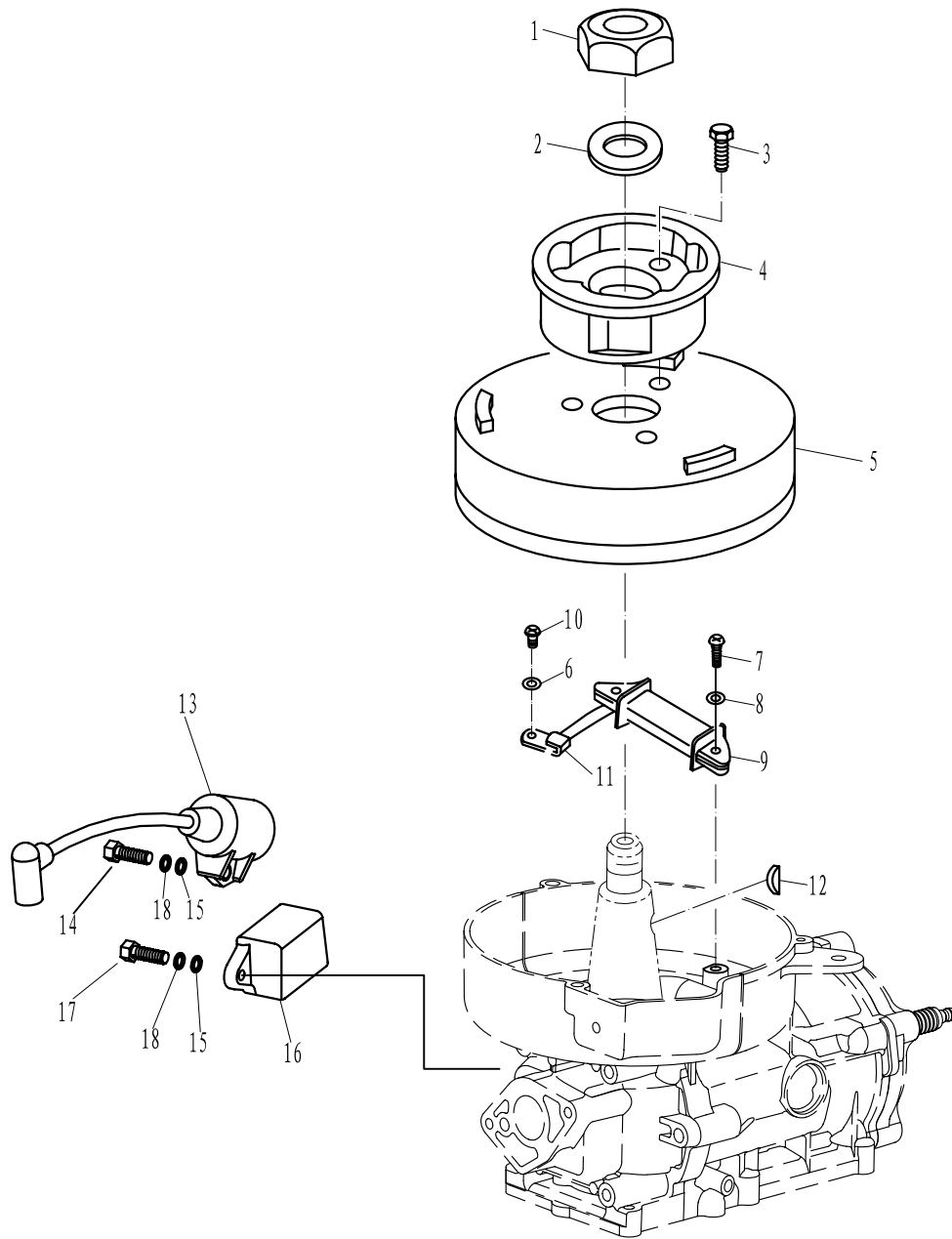
LOWER DRIVE ASSY

| SN.<br>参照号码 | PART NO.<br>零件编号 | DESCRIPTION<br>零件名称(中文) | DESCRIPTION<br>零件名称(英文)  | QTY<br>数量 |  |  |  |  | REMARKS<br>备注 |
|-------------|------------------|-------------------------|--------------------------|-----------|--|--|--|--|---------------|
| 3           | F4-03000021      | 泵壳橡胶管                   | RUBBER TUBE ,WATER PUMP  | 1         |  |  |  |  |               |
| 4           | F4-03000013      | 水泵座定位销                  | PIN ,WATER PUMP          | 2         |  |  |  |  |               |
| 5           | F4-03000019      | 水泵壳                     | HOUSING ,WATER PUMP      | 1         |  |  |  |  |               |
| 6           | F4-03000018      | 泵壳密封垫                   | GASKET ,WATER PUMP COVER | 1         |  |  |  |  |               |
| 7           | F4-03000017      | 水泵内壳                    | COVER ,INNER WATER PUMP  | 1         |  |  |  |  |               |
| 8           | F4-03060000      | 水泵叶轮                    | IMPELLER ,WATER PUMP     | 1         |  |  |  |  |               |
| 9           | F4-03000015      | 外档板                     | OUT PLATE                | 1         |  |  |  |  |               |
| 10          | F2.6-03000009    | O形密封圈                   | O-RING                   | 1         |  |  |  |  |               |
| 11          | F4-03020000      | 变档凸轮组件                  | CAM ASSY ,SHIFT ROD      | 1         |  |  |  |  | L             |
|             | F4-03020000S     | 变档凸轮组件                  | CAM ASSY ,SHIFT ROD      | 1         |  |  |  |  | S             |
| 12          | GB/T5783-M6x25   | 六角头螺栓M6×25              | BOLT M6×25               | 1         |  |  |  |  |               |
| 13          | GB/T97.1-6       | 平垫圈6                    | WASHER 6                 | 5         |  |  |  |  |               |
| 14          | F4-03000012      | 水泵座                     | BASE ,WATER PUMP         | 1         |  |  |  |  |               |
| 15          | F4-03000011      | 水泵座密封垫                  | HERMETIC GASKET          | 1         |  |  |  |  |               |
| 16          | F4-03000027      | 油封 10.8×21×7            | OIL SEAL                 | 2         |  |  |  |  |               |
| 17          | F4-03000009      | 倒档齿轮垫圈                  | WASHER ,REVERSE GEAR     | 1         |  |  |  |  |               |
| 18          | F4-03040000      | 倒档齿轮组件                  | REVERSE GEAR ASSY        | 1         |  |  |  |  |               |
| 19          | GB/T276-6004C2   | 深沟球轴承6004C2             | BEARING 6004C2           | 2         |  |  |  |  |               |
| 20          | F4-03050002      | 油封13×22×7               | OIL SEAL                 | 2         |  |  |  |  |               |
| 21          | JISB2401-P48     | 水下装置壳体盖O形圈              | O-RING P48               | 1         |  |  |  |  |               |
| 22          | F4-03050001      | 水下装置壳体盖                 | COVER ,LOWER CASING      | 1         |  |  |  |  |               |
| 23          | GB/T5783-M6x20   | 六角头螺栓M6×20              | HEXAGON BOLT M6×20       | 2         |  |  |  |  |               |
| 24          | F4-03000003      | 不带档边筒形轴承                | BEARING                  | 1         |  |  |  |  |               |
| 25          | F4-03000023      | 注油孔螺塞                   | PLUG ,OIL HOLE           | 3         |  |  |  |  |               |
| 26          | F4-03000024      | 注油孔螺塞密封垫                | GASKET                   | 3         |  |  |  |  |               |
| 27          | F4-03000001      | 水下装置壳体                  | LOWER CASING             | 1         |  |  |  |  |               |
| 28          | GB/T896-6        | 开口档圈6                   | CIRCLIP 6                | 1         |  |  |  |  |               |
| 29          | F4-03000007      | 主动齿轮                    | INITIATIVE GEAR          | 1         |  |  |  |  |               |
| 30          | F4-03000006      | 主动齿轮垫圈                  | WASHER ,INITIATIVE GEAR  | 1         |  |  |  |  |               |
| 31          | F4-03000002      | 带档边筒形轴承                 | BEARING                  | 1         |  |  |  |  |               |
| 32          | F4-03000008      | 变档柱塞                    | PLUGER ,SHIFT            | 1         |  |  |  |  |               |
| 33          | F4-03010000      | 正档齿轮组件                  | POSITIVE GEAR ASSY       | 1         |  |  |  |  |               |
| 34          | F4-03030002      | 离合器块                    | CLUTCH BLOCK             | 1         |  |  |  |  |               |
| 35          | F4-03030003      | 离合器块压簧                  | SPRING ,CLUTCH BLOCK     | 1         |  |  |  |  |               |
| 36          | F4-03030001      | 螺旋桨轴                    | SHAFT ,PROPELLER         | 1         |  |  |  |  |               |
| 37          | TC5-03000002L    | 驱动轴                     | SHAFT ,DRIVE             | 1         |  |  |  |  | L             |
|             | TC5-03000002S    | 驱动轴(短轴)                 | SHAFT ,DRIVE             | 1         |  |  |  |  | S             |
| 38          | F4-03000016      | 叶轮定位销                   | PIN                      | 2         |  |  |  |  |               |
| 39          | F4-03000005      | 轴用钢丝档圈                  | CLIP                     | 1         |  |  |  |  |               |
| 40          | GB/T5782-M6x175  | 六角头长螺栓M6×175            | BOLT M6×175              | 2         |  |  |  |  | L(S: M6×40)   |
| 41          | GB/T879.4-1.5x20 | 弹性圆柱销 φ1.5×20           | PIN ,SPRING φ1.5×20      | 1         |  |  |  |  |               |
| 42          | F4-03050000      | 水下装置壳体盖组件               | COVER ASSY,LOWER CASING  | 1         |  |  |  |  |               |
| 43          | F4-03000028      | O形圈档板                   | PLATE,O-RING             | 1         |  |  |  |  |               |
| 44          | GB/T818-M5x6     | 十字槽盘头螺钉 M5x6            | BOLT M5x6                | 2         |  |  |  |  |               |



零部件名称: 电气系统

PARTS NAME: ELECTRICAL SYSTEM





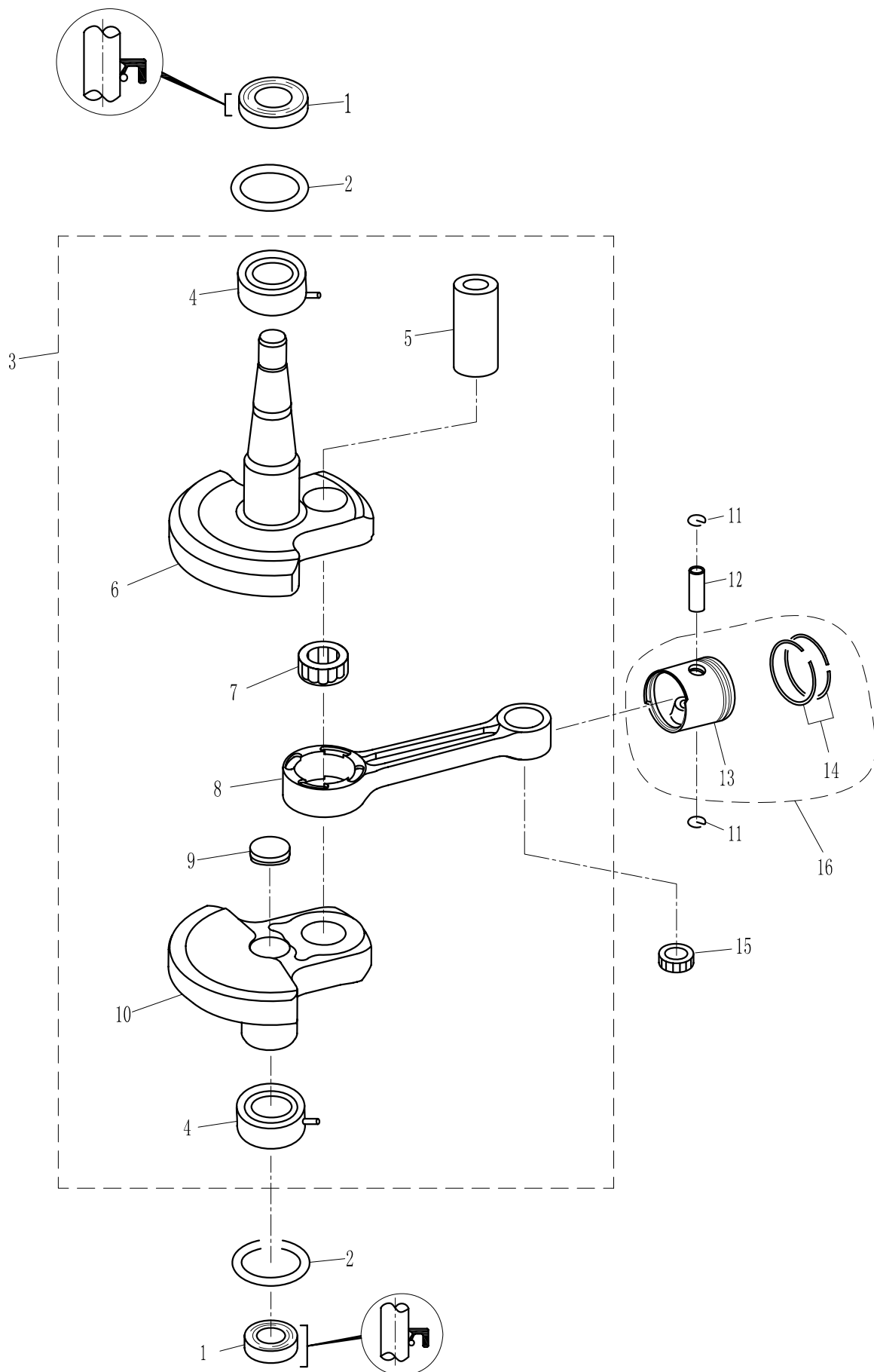


零部件名称:

曲轴&活塞

PARTS NAME:

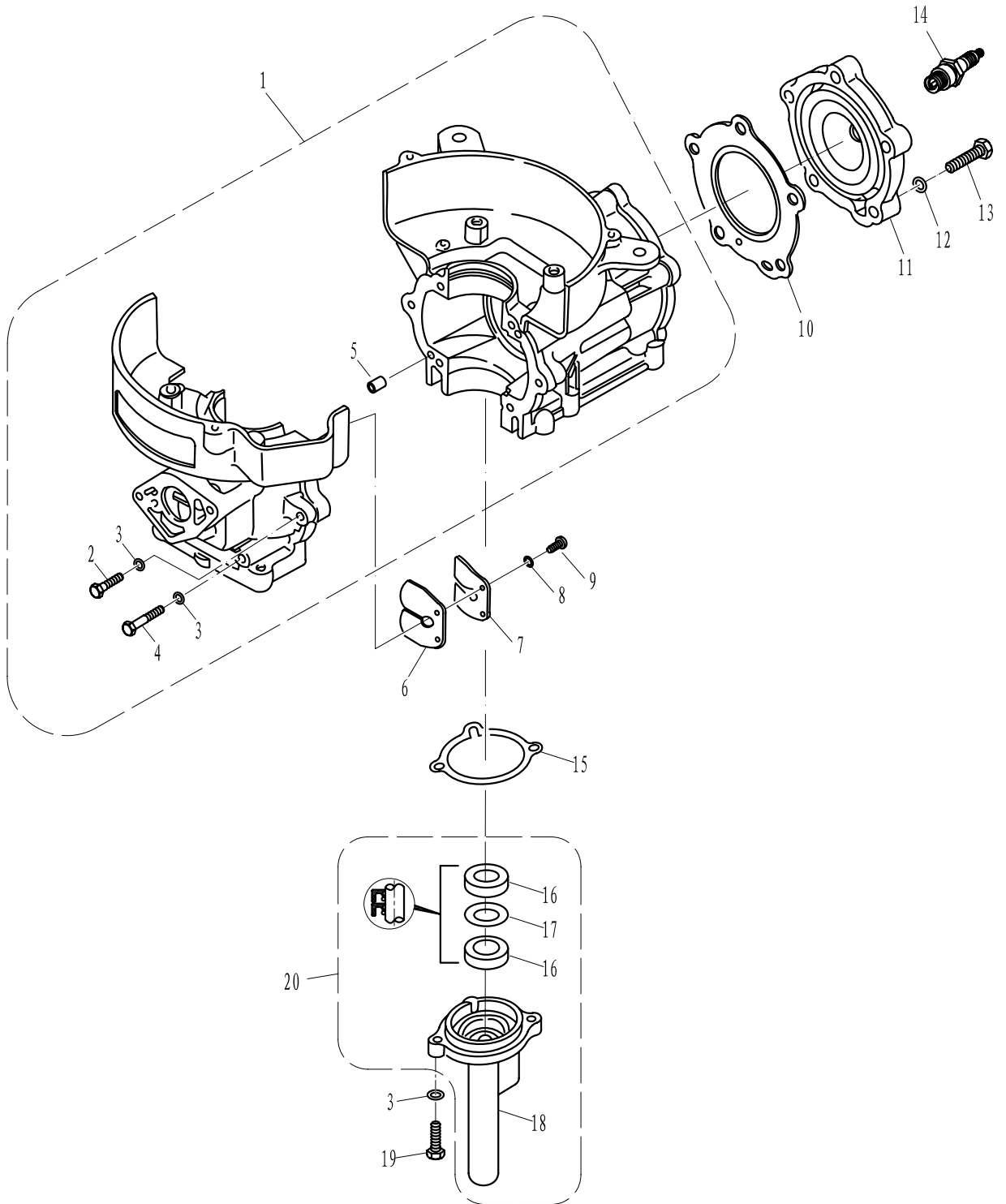
CRANKSHAFT & PISTON





零部件名称: 曲轴箱

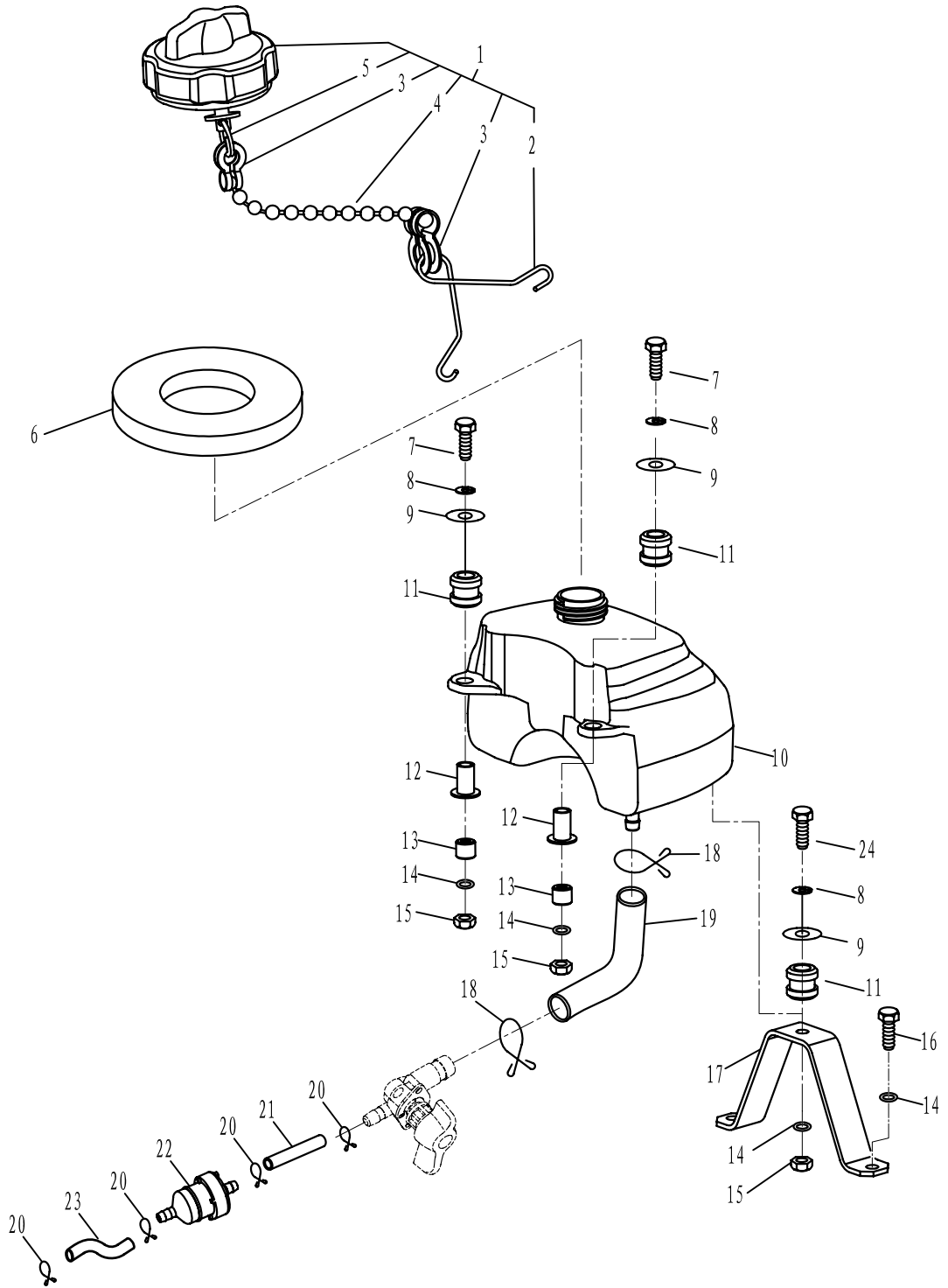
PARTS NAME: CRANKCASE





零部件名称: 燃油系统

PARTS NAME: FUEL SYSTEM







零部件名称:

化油器总成

PARTS NAME:

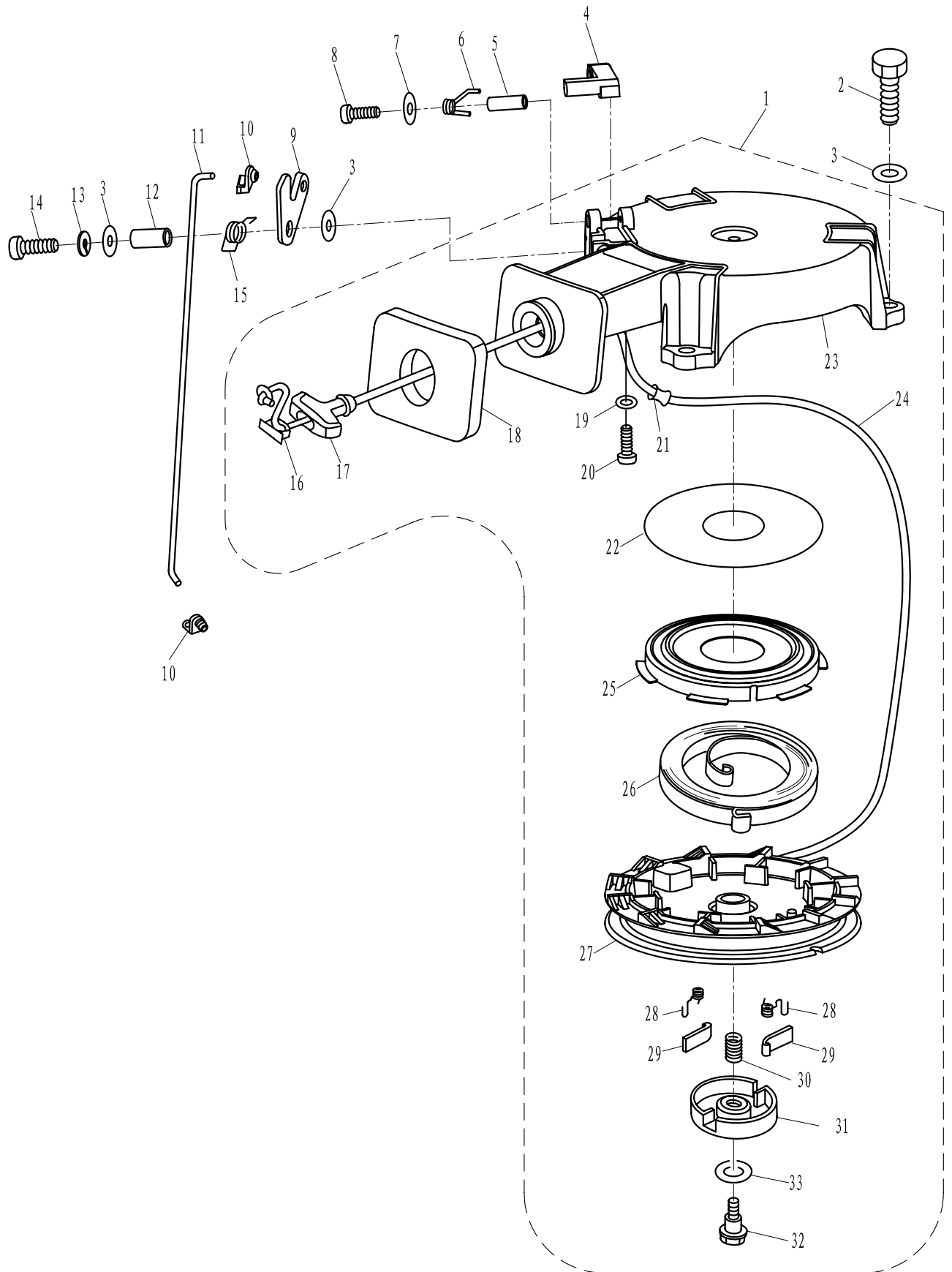
CARBURETOR ASSY

| SN.<br>参照号码 | PART NO.<br>零件编号 | DESCRIPTION<br>零件名称(中文) | DESCRIPTION<br>零件名称(英文) | QTY<br>数量 |  |  |  | REMARKS<br>备注 |
|-------------|------------------|-------------------------|-------------------------|-----------|--|--|--|---------------|
| 7           | F4-04090005      | 单向阀片                    | CHECK VALVE             | 2         |  |  |  |               |
| 8           | F4-04090011      | 阀片螺钉                    | SCREW M3x5              | 2         |  |  |  |               |
| 9           | T8-05000826      | 燃油泵隔膜                   | DIAPHRAGM, FUEL PUMP    | 1         |  |  |  |               |
| 10          | T8-05000829      | 燃油泵壳密封垫                 | GASKET, FUEL PUMP       | 1         |  |  |  |               |
| 11          | T5-05000501      | 油杯本体                    | OIL CUP                 | 1         |  |  |  |               |
| 12          | T8-05000824      | 放油螺塞                    | DRAIN SCREW             | 1         |  |  |  |               |
| 13          | T8-05000825      | 放油螺塞垫片                  | GASKET                  | 1         |  |  |  |               |
| 14          | GB/T818-M4x14    | 十字槽盘头螺钉M4x14            | BOLT M4x14              | 4         |  |  |  |               |
| 15          | T8-05000822      | 油杯本体密封垫                 | GASKET, OIL CUP         | 1         |  |  |  |               |
| 16          | T5-05000502      | 浮子销                     | PIN, FLOAT              | 1         |  |  |  |               |
| 17          | GB/T818-M4x6     | 十字槽盘头螺钉M4x6             | BOLT M4x6               | 1         |  |  |  |               |
| 18          | T5-05000503      | 浮子                      | FLOAT                   | 1         |  |  |  |               |
| 19          | T5-05000504      | 针阀组件                    | NEEDLE VALVE ASSY       | 1         |  |  |  |               |
| 20          | T5-05000505-2    | 针阀弹簧                    | SPRING, NEEDLE VALVE    | 1         |  |  |  |               |
| 21          | T5-05000505-1    | 针阀                      | NEEDLE VALVE            | 1         |  |  |  |               |
| 22          | T5-05000506      | 胶帽                      | RUBBER CAP              | 1         |  |  |  |               |
| 23          | T5-05000507      | 主喷嘴                     | MIAN NOZZLE             | 1         |  |  |  |               |
| 24          | T5-05000508      | 主量孔                     | MIAN JET                | 1         |  |  |  |               |
| 25          | T5-05000509      | 空气减速量孔                  | SLOW JET                | 1         |  |  |  |               |
| 26          | T5-05000510      | 摆杆垫圈                    | WASHER, SWING LINK      | 2         |  |  |  |               |
| 27          | GB/T896-4        | 开口挡圈 4                  | CIRCLIP 4               | 2         |  |  |  |               |
| 28          | T5-05000511      | 化油器本体                   | CARBURETOR              | 1         |  |  |  |               |
| 29          | T5-05000512      | 油门挡板                    | APRON, ACCELERATOR      | 1         |  |  |  |               |
| 30          | GB/T93-3         | 弹性垫圈 3                  | SPRING-WASHER 3         | 3         |  |  |  |               |
| 31          | GB/T818-M3x5     | 十字槽盘头螺钉M3x5             | BOLT M3x5               | 3         |  |  |  |               |
| 32          | T5-05000513      | 堵头                      | PLUG                    | 1         |  |  |  |               |
| 33          | T5-05000514      | 橡胶板                     | RUBBER PLATE            | 1         |  |  |  |               |
| 34          | T5-05000515      | 面板                      | PLATE                   | 1         |  |  |  |               |
| 35          | GB/T818-M4x10    | 十字槽盘头螺钉 M4x10           | BOLT M4x10              | 2         |  |  |  |               |
| 36          | T5-05000516      | 调节螺钉弹簧                  | SPRING                  | 2         |  |  |  |               |
| 37          | T5-05000517      | 怠速螺钉                    | IDLE SCREW              | 1         |  |  |  |               |
| 38          | T5-05000518      | 油门停止螺钉                  | STOP SCREW              | 1         |  |  |  |               |
| 39          | T5-05000519      | 油门摆杆扭簧                  | TWIST SPRING            | 1         |  |  |  |               |
| 40          | T5-05000520      | 油门摆杆垫管                  | PIPE, SWING LINK        | 1         |  |  |  |               |
| 41          | T5-05000521      | 油门摆杆组件                  | ACCELERATOR BAR ASSY    | 1         |  |  |  |               |
| 42          | T5-05000522      | 油门控制器连杆接头               | TIE-IN,                 | 2         |  |  |  |               |
| 43          | T5-05000523      | 阻风门摆杆组件                 | ROD ASSY, AIR STRANGER  | 1         |  |  |  |               |
| 44          | T5-05000524      | 阻风门挡板                   | APRON, AIR STRANGER     | 1         |  |  |  |               |
| 45          | GB/T5783-M6x85   | 六角螺栓 M6x85              | BOLT M6x85              | 2         |  |  |  |               |
| 46          | GB/T96-6         | 大垫圈 6                   | BIG WASHER 6            | 2         |  |  |  |               |
| 47          | T5-05000008      | 进气消音器                   | SILENCER                | 1         |  |  |  |               |
| 48          | T5-05000500      | 化油器总成                   | CARBURETOR ASSY         | 1         |  |  |  |               |
| 49          | T8-05000012      | 化油器密封垫                  | GASKET, CARBURETOR      | 1         |  |  |  |               |



零部件名称: 起动机

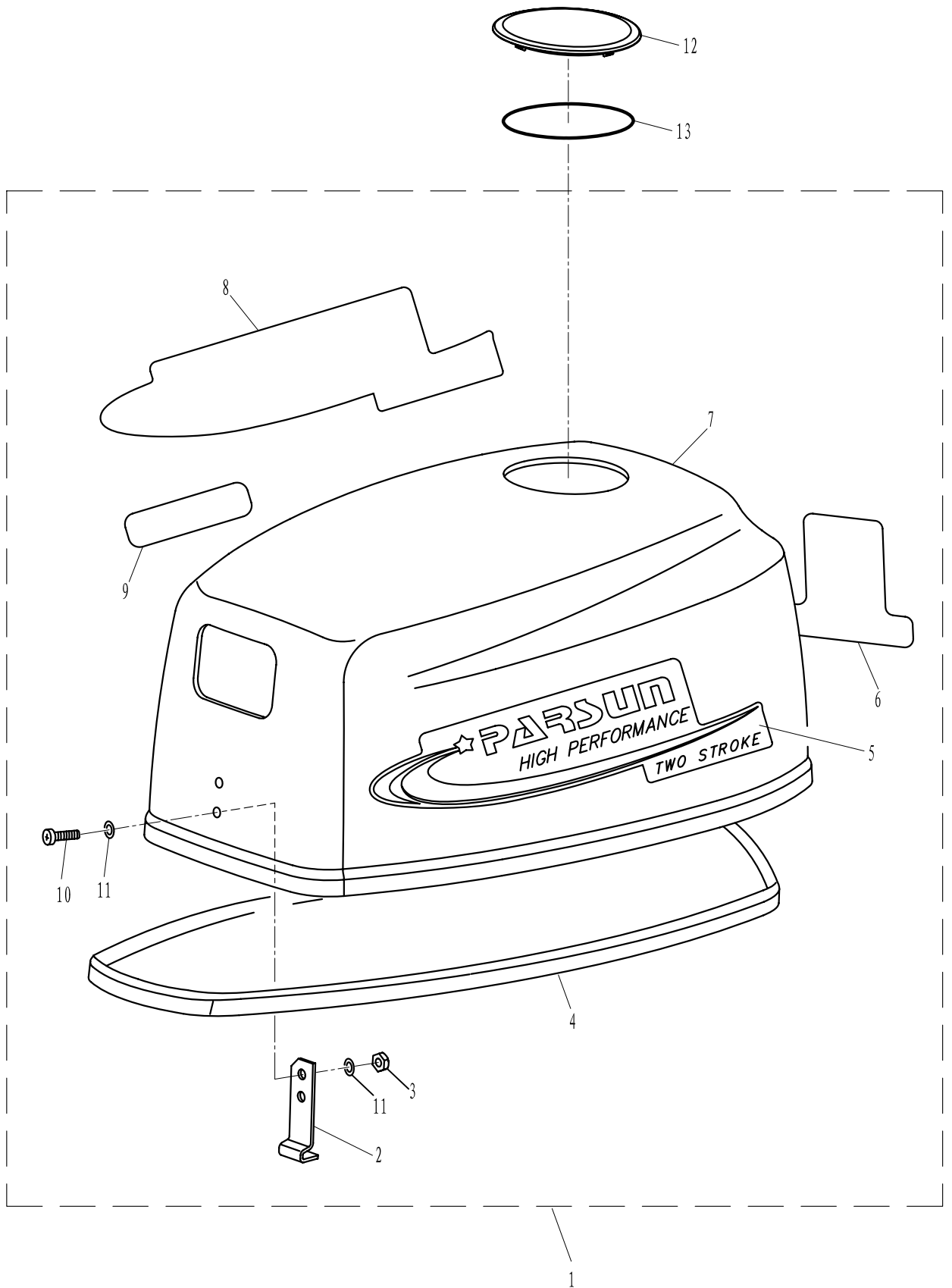
PARTS NAME: STARTER





零部件名称: 顶罩组件

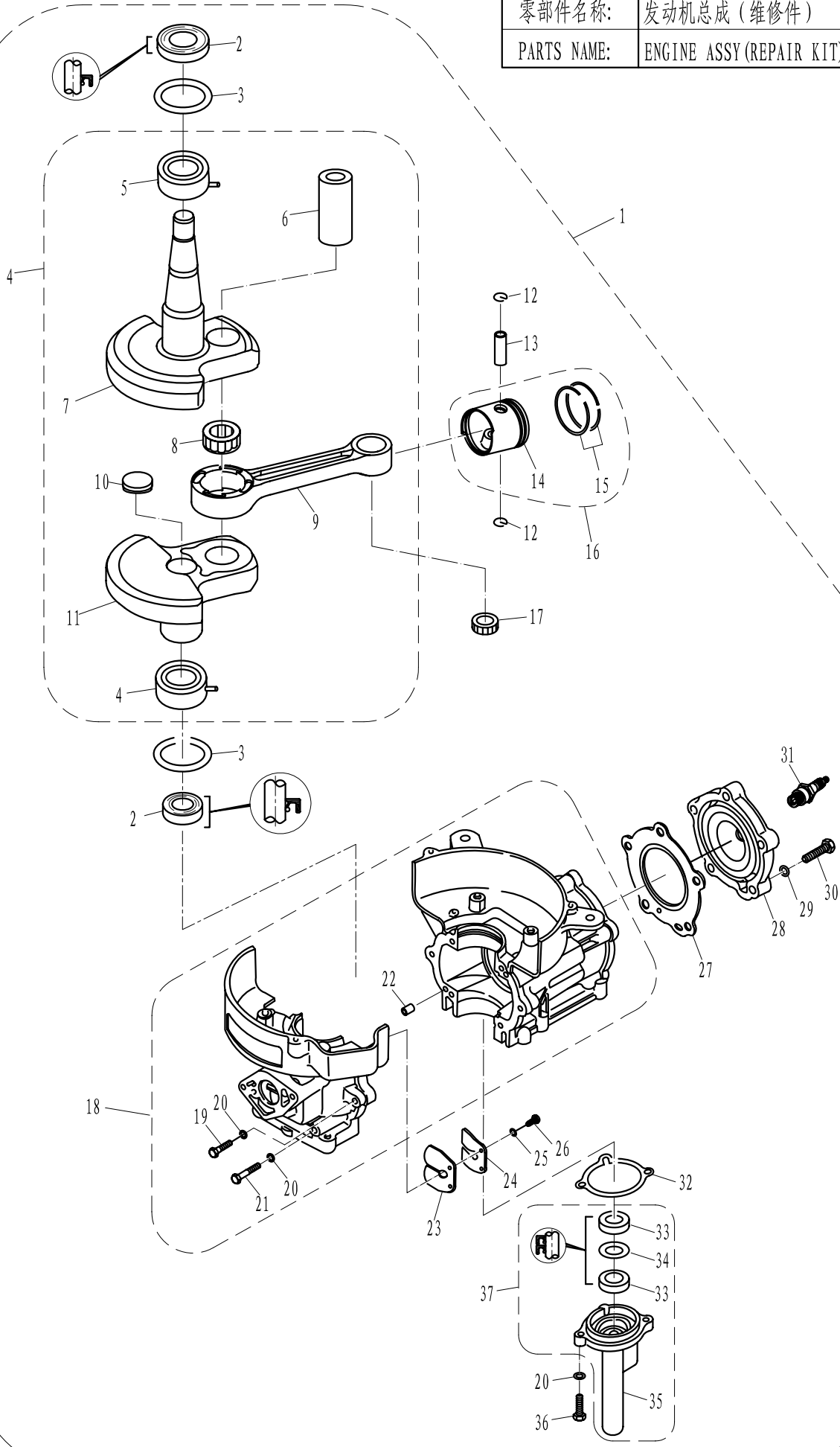
PARTS NAME: TOP COWLING ASSY





零部件名称: 发动机总成 (维修件)

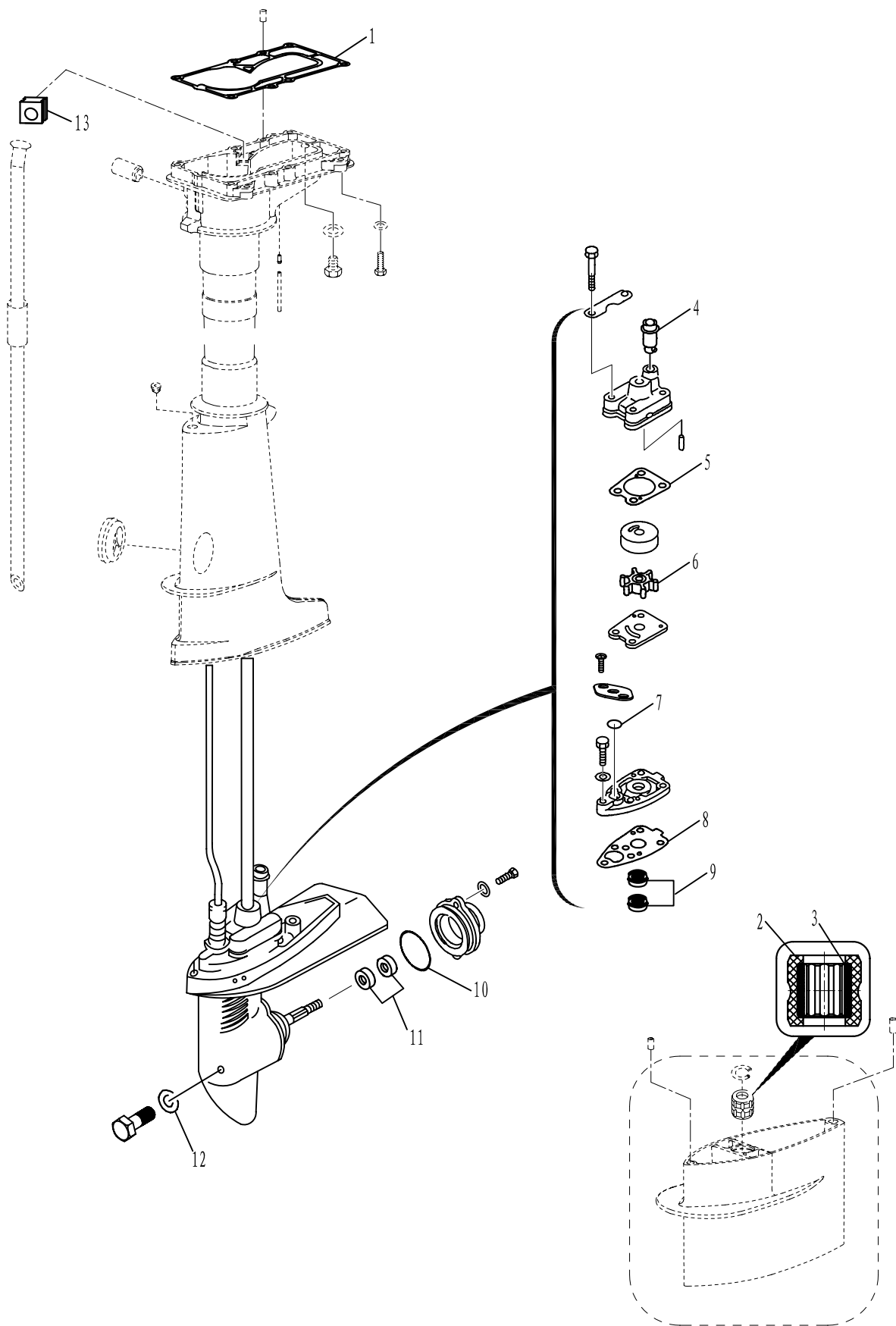
PARTS NAME: ENGINE ASSY (REPAIR KIT)





零部件名称: 附件 I (修理件)

PARTS NAME: APPENDIX I (REPAIR KIT)

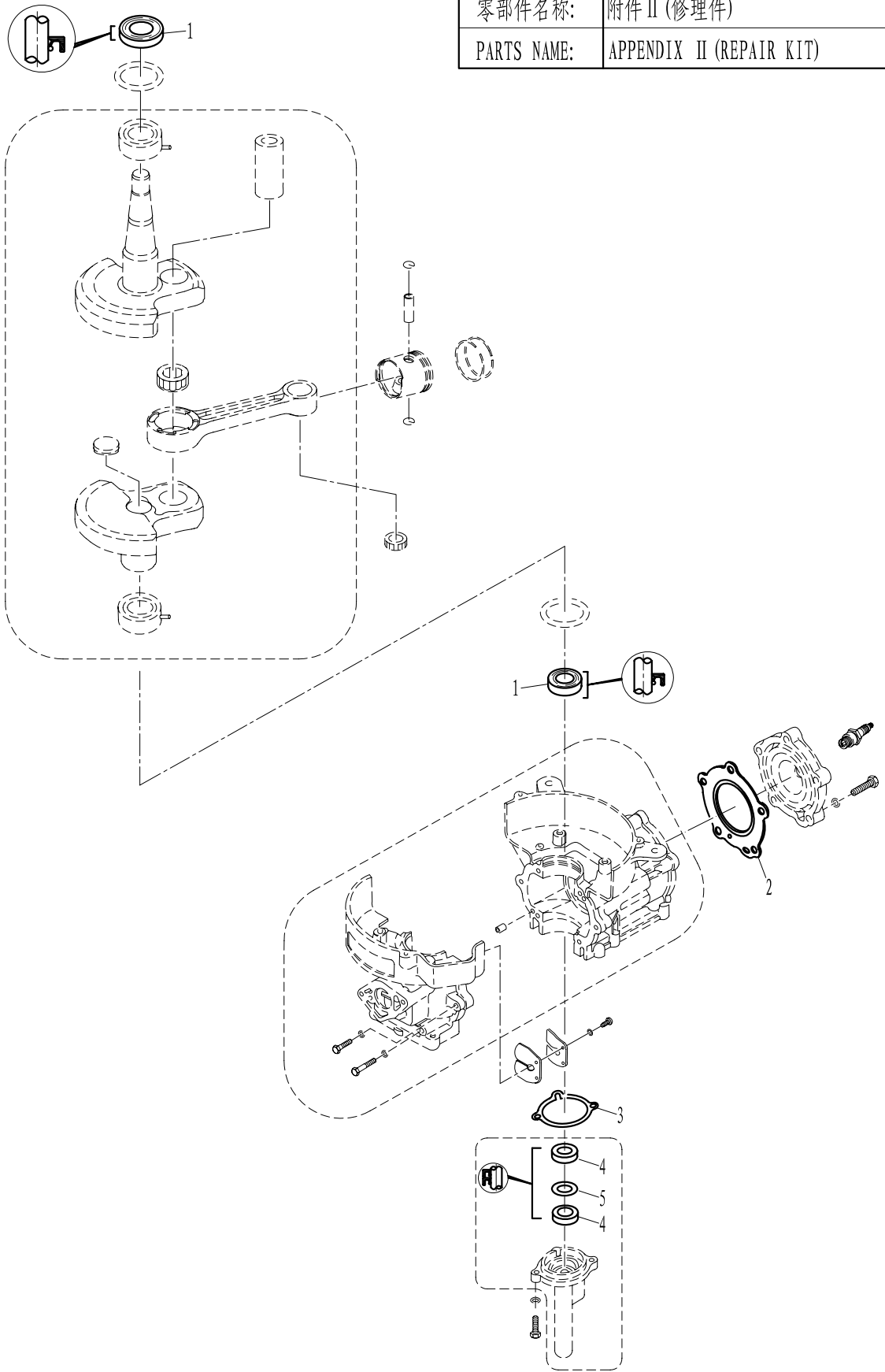






零部件名称: 附件 II (修理件)

PARTS NAME: APPENDIX II (REPAIR KIT)



| SN.<br>参照号码 | PART NO.<br>零件编号 | DESCRIPTION<br>零件名称(中文) | DESCRIPTION<br>零件名称(英文) | QTY<br>数量 |  |  |  | REMARKS<br>备注 |
|-------------|------------------|-------------------------|-------------------------|-----------|--|--|--|---------------|
| 1           | T5-05010002      | 曲轴油封 20x47x8            | OIL SEAL 20x47x8        | 2         |  |  |  |               |
| 2           | T5-05000001      | 缸头复合垫                   | GASKET, CYLINDER HEAD   | 1         |  |  |  |               |
| 3           | T5-05030004      | 油封壳体密封垫                 | GASKET, OIL SEAL CASING | 1         |  |  |  |               |
| 4           | TC5-05030002     | 油封壳体油封 11x25x6.4        | OIL SEAL 11x25x6.4      | 2         |  |  |  |               |
| 5           | T5-05030003      | 油封垫圈                    | WASHER, OIL SEAL        | 1         |  |  |  |               |

零部件名称:

零件目录检索表

PARTS NAME:

PARTS CATALOGUE INDEX

| 零件代号<br>PART NO. | 页码/序号<br>PAGE/NO. | 零件代号<br>PART NO. | 页码/序号<br>PAGE/NO. | 零件代号<br>PART NO. | 页码/序号<br>PAGE/NO. |
|------------------|-------------------|------------------|-------------------|------------------|-------------------|
| F2.6-0300009     | 11-10             | F4-0200008       | 1-1               | F4-04120100      | 20-1              |
| F4-00000001      | 6-17              | F4-0200009       | 2-28              | F4-04120103      | 20-2              |
| F4-00000001      | 12-10             | F4-0200011       | 6-7               | F4-04120104      | 20-4              |
| F4-00000003      | 9-12              | F4-0200012       | 6-8               | F4-04120105      | 20-3              |
| F4-00000004      | 9-11              | F4-02020000      | 1-3               | F4-04120106      | 20-5              |
| F4-00000005      | 9-13              | F4-02030000      | 6-18              | F4-04130011      | 24-24             |
| F4-01000002      | 2-9               | F4-02030001      | 6-20              | F4-04130013      | 24-21             |
| F4-01000003      | 2-15              | F4-02030002      | 6-16              | F4-04130101      | 24-17             |
| F4-01000004      | 2-29              | F4-02030003      | 6-15              | F4-04130102      | 24-16             |
| F4-01000005      | 2-38              | F4-03000001      | 11-27             | F4-05000010      | 20-18             |
| F4-01000006      | 2-24              | F4-03000002      | 11-31             | F4-05000014      | 4-5               |
| F4-01000007      | 2-25              | F4-03000003      | 11-24             | F4-05000020      | 7-4               |
| F4-01000008      | 4-3               | F4-03000005      | 11-39             | F4-05000023      | 7-1               |
| F4-01000009      | 4-8               | F4-03000007      | 11-30             | F4-05000030      | 20-20             |
| F4-01000010      | 4-6               | F4-03000008      | 11-32             | F4-050000300     | 20-22             |
| F4-01000011      | 4-4               | F4-03000009      | 11-17             | F4-08000006      | 26-6              |
| F4-01000012      | 4-7               | F4-03000011      | 11-15             | F4-08000014      | 4-25              |
| F4-01000014      | 4-2               | F4-03000012      | 11-14             | F4-08000016      | 4-26              |
| F4-01010000      | 2-37              | F4-03000013      | 11-4              | F4-08000018      | 2-11              |
| F4-01010002      | 2-32              | F4-03000015      | 11-9              | F8-05000024      | 14-1              |
| F4-01010003      | 2-33              | F4-03000016      | 11-38             | F8-05050002      | 24-22             |
| F4-01010004      | 2-31              | F4-03000017      | 11-7              | F8-05050003      | 24-25             |
| F4-01010005      | 2-30              | F4-03000018      | 11-6              | F8-05050004      | 24-26             |
| F4-01020000      | 2-10              | F4-03000019      | 11-5              | F8-05050006      | 24-29             |
| F4-01030001      | 2-12              | F4-03000020      | 10-2              | F8-05050007      | 24-28             |
| F4-01030002      | 2-18              | F4-03000021      | 11-3              | F8-05050008      | 24-31             |
| F4-01030003      | 2-17              | F4-03000022      | 12-6              | F8-05050009      | 24-30             |
| F4-01030004      | 2-22              | F4-03000023      | 11-25             | F8-05050010      | 24-32             |
| F4-01030005      | 2-20              | F4-03000024      | 6-12              | F8-08000010      | 26-9              |
| F4-01030100      | 2-21              | F4-03000024      | 11-26             | F15-00000006     | 6-1               |
| F4-01030103      | 2-16              | F4-03000025      | 12-5              | F15-00000006     | 18-5              |
| F4-01050000      | 1-5               | F4-03000026      | 12-3              | T3.6-04000300    | 14-13             |
| F4-01050002      | 1-4               | F4-03000027      | 11-16             | T3.6-04000400    | 14-16             |
| F4-01050003      | 2-7               | F4-03000028      | 11-43             | T5-00000003      | 6-2               |
| F4-01060000      | 2-43              | F4-03010000      | 11-33             | T5-02000004      | 6-4               |
| F4-01060001      | 2-42              | F4-03020000      | 11-11             | T5-02000005      | 9-4               |
| F4-01060002      | 2-40              | F4-03030001      | 11-36             | T5-02000007      | 9-7               |
| F4-01070000      | 2-27              | F4-03030002      | 11-34             | T5-02000009      | 24-11             |
| F4-01090001      | 4-9               | F4-03030003      | 11-35             | T5-02000010      | 6-10              |
| F4-01090002      | 4-11              | F4-03040000      | 11-18             | T5-02000011      | 6-5               |
| F4-01090003      | 4-17              | F4-03050000      | 11-42             | T5-02000100      | 9-1               |
| F4-01090004      | 4-16              | F4-03050001      | 11-22             | T5-04000001      | 7-20              |
| F4-01090006      | 4-22              | F4-03050002      | 11-20             | T5-04000002      | 20-21             |
| F4-01090007      | 4-21              | F4-03060000      | 11-8              | T5-04000007      | 20-19             |
| F4-01090100      | 4-15              | F4-03070000      | 12-4              | T5-04000008      | 7-17              |
| F4-01090200      | 4-23              | F4-03080000      | 12-2              | T5-04000009      | 20-17             |
| F4-01090400      | 4-14              | F4-04090005      | 22-7              | T5-04000010      | 7-11              |
| F4-01090401      | 4-13              | F4-04090011      | 22-8              | T5-04000011      | 7-18              |
| F4-02000005      | 9-3               | F4-04120002      | 20-11             | T5-04000012      | 7-16              |
| F4-02000007      | 1-2               | F4-04120003      | 20-12             | T5-04000013      | 7-15              |

零部件名称:

零件目录检索表

PARTS NAME:

PARTS CATALOGUE INDEX

| 零件代号<br>PART NO. | 页码/序号<br>PAGE/NO. | 零件代号<br>PART NO. | 页码/序号<br>PAGE/NO. | 零件代号<br>PART NO. | 页码/序号<br>PAGE/NO. |
|------------------|-------------------|------------------|-------------------|------------------|-------------------|
| T5-04000014      | 7-14              | T5-05020004      | 16-12             | TC5-04000015     | 7-19              |
| T5-04000015      | 20-6              | T5-05020005      | 16-4              | TC5-04000016     | 7-10              |
| T5-04000016      | 20-23             | T5-05020101      | 16-6              | TC5-05000200     | 14-9              |
| T5-04000100      | 7-6               | T5-05020102      | 16-5              | TC5-05020100     | 16-3              |
| T5-04000102      | 7-21              | T5-05020103      | 16-7              | TC5-05020105     | 16-10             |
| T5-04000300      | 7-13              | T5-05020104      | 16-8              | TC5-05030000     | 18-20             |
| T5-04010100      | 4-10              | T5-05020106      | 16-9              | TC5-05030002     | 18-16             |
| T5-04020001      | 20-10             | T5-05020200      | 16-16             | BPR7HS 10        | 18-14             |
| T5-05000001      | 18-10             | T5-05030001      | 18-18             | JISB 2401 P48    | 11-21             |
| T5-05000002      | 18-11             | T5-05030003      | 18-17             | JISB2401-P9      | 9-5               |
| T5-05000003      | 18-13             | T5-05030004      | 18-15             |                  |                   |
| T5-05000005      | 14-11             | T5-05040000      | 24-1              |                  |                   |
| T5-05000008      | 22-47             | T5-05040002      | 24-27             |                  |                   |
| T5-05000010      | 20-13             | T5-05040003      | 24-4              |                  |                   |
| T5-05000012      | 22-49             | T5-05040004      | 24-5              |                  |                   |
| T5-05000500      | 22-48             | T5-05040005      | 24-6              |                  |                   |
| T5-05000501      | 22-11             | T5-05040006      | 24-9              |                  |                   |
| T5-05000502      | 22-16             | T5-05040007      | 24-12             |                  |                   |
| T5-05000503      | 22-18             | T5-05040008      | 24-15             |                  |                   |
| T5-05000504      | 22-19             | T5-05040009      | 24-18             |                  |                   |
| T5-05000505-1    | 22-21             | T5-05040010      | 24-10             |                  |                   |
| T5-05000505-2    | 22-20             | T5-05040100      | 24-23             |                  |                   |
| T5-05000506      | 22-22             | T5-06000000      | 26-1              |                  |                   |
| T5-05000507      | 22-23             | T5-06000001      | 26-7              |                  |                   |
| T5-05000508      | 22-24             | T5-06000002      | 26-4              |                  |                   |
| T5-05000509      | 22-25             | T5-06000003      | 26-2              |                  |                   |
| T5-05000510      | 22-26             | T5-06000004      | 26-12             |                  |                   |
| T5-05000511      | 22-28             | T5-06000005      | 26-13             |                  |                   |
| T5-05000512      | 22-29             | T8-05000015      | 14-5              |                  |                   |
| T5-05000513      | 22-32             | T8-05000018      | 14-12             |                  |                   |
| T5-05000514      | 22-33             | T8-05000822      | 22-15             |                  |                   |
| T5-05000515      | 22-34             | T8-05000824      | 22-12             |                  |                   |
| T5-05000516      | 22-36             | T8-05000825      | 22-13             |                  |                   |
| T5-05000517      | 22-37             | T8-05000826      | 22-9              |                  |                   |
| T5-05000518      | 22-38             | T8-05000829      | 22-10             |                  |                   |
| T5-05000519      | 22-39             | T8-05000833      | 21-4              |                  |                   |
| T5-05000520      | 22-40             | T8-05000834      | 21-3              |                  |                   |
| T5-05000521      | 22-41             | T8-05020106      | 16-2              |                  |                   |
| T5-05000522      | 22-42             | T15-04000011     | 14-2              |                  |                   |
| T5-05000523      | 22-43             | T15-01020300     | 4-19              |                  |                   |
| T5-05000524      | 22-44             | T15-04010202     | 6-9               |                  |                   |
| T5-05010000      | 18-1              | T15-04060304     | 21-6              |                  |                   |
| T5-05010002      | 16-1              | T15-06000001     | 26-8              |                  |                   |
| T5-05010003      | 18-2              | T15-06000002     | 26-5              |                  |                   |
| T5-05010004      | 18-4              | T20-03000002     | 24-33             |                  |                   |
| T5-05010202      | 18-6              | TC5-02000001     | 6-6               |                  |                   |
| T5-05010203      | 18-7              | TC5-02000006     | 9-10              |                  |                   |
| T5-05020001      | 16-13             | TC5-02010000     | 6-3               |                  |                   |
| T5-05020002      | 16-14             | TC5-03000000     | 12-11             |                  |                   |
| T5-05020003      | 16-15             | TC5-03000002L    | 11-37             |                  |                   |