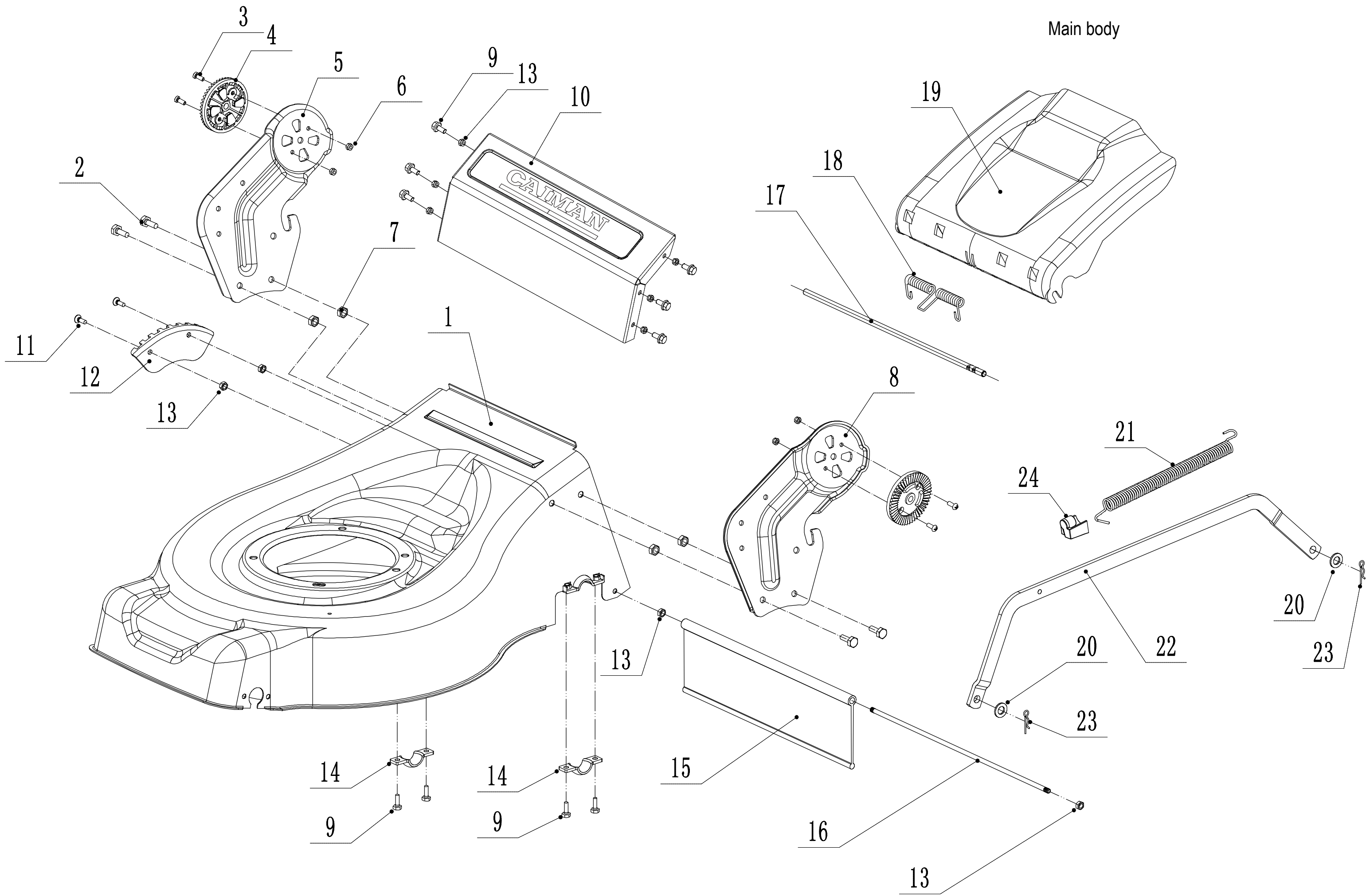


<b>engine</b>			
<b>n</b>	<b>art</b>	<b>name</b>	<b>qty</b>
1	U50I-00001	Screw - M4*14	27
2	U50I-00002	Bolt - M6*30	4
3	U455-00054	Flat washer - M6	4
4	U455-00013	Nut - M6	4
5	U50I-00003	Motor base	1
6	U50I-00004	Motor	1
7	U50I-00005	Wind shield	1
8	U50I-00006	Motor barrel	1
9	U50I-00007	Battery lead plate	1
10	U50I-00008	Battery pressure spring	3
11	U50I-00009	Left cover	1
12	U50I-00010	Cable Bracket	1
13	U50I-00011	Left shell	1
14	U50I-00012	Electrified base assembly	1
15	U50I-00013	Key	1
16	U50I-00014	Battery cover flip piece B	1
17	U50I-00015	Battery cover	1
18	U50I-00016	Screw - M4*6	2
19	U50I-00017	Battery cover flip piece A	1
20	U50I-00018	Screw - M3.5*15	4
21	U50I-00019	Upper cover	1
22	U50I-00020	The central axis B	1
23	U50I-00021	The central axis A	1
24	UV160-00036	Flat washer - M6	2
25	U50I-00022	Screw - M2.5*6	2
26	U50I-00023	Battery compartment	1
27	U50I-00024	Magnet - M12*5	2
28	U50I-00025	Battery buckle shaft	1
29	U50I-00026	Battery buckle torsion spring	1
30	U50I-00027	Battery buckle	1
31	U50I-00028	Right shell	1
32	U50I-00029	Screw - M4*26	3
33	U50I-00030	Filter sponge	2
34	U50I-00031	Right cover	1
35	U50I-00032	Controller	1
36	U50I-00033	Battery	1

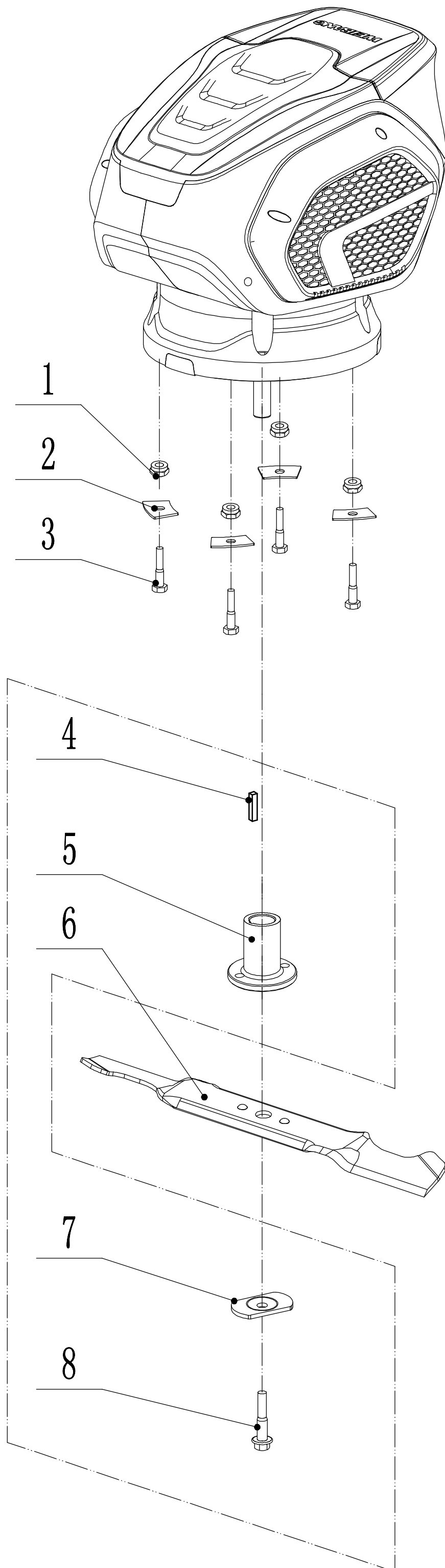


Main body

CAIMAN

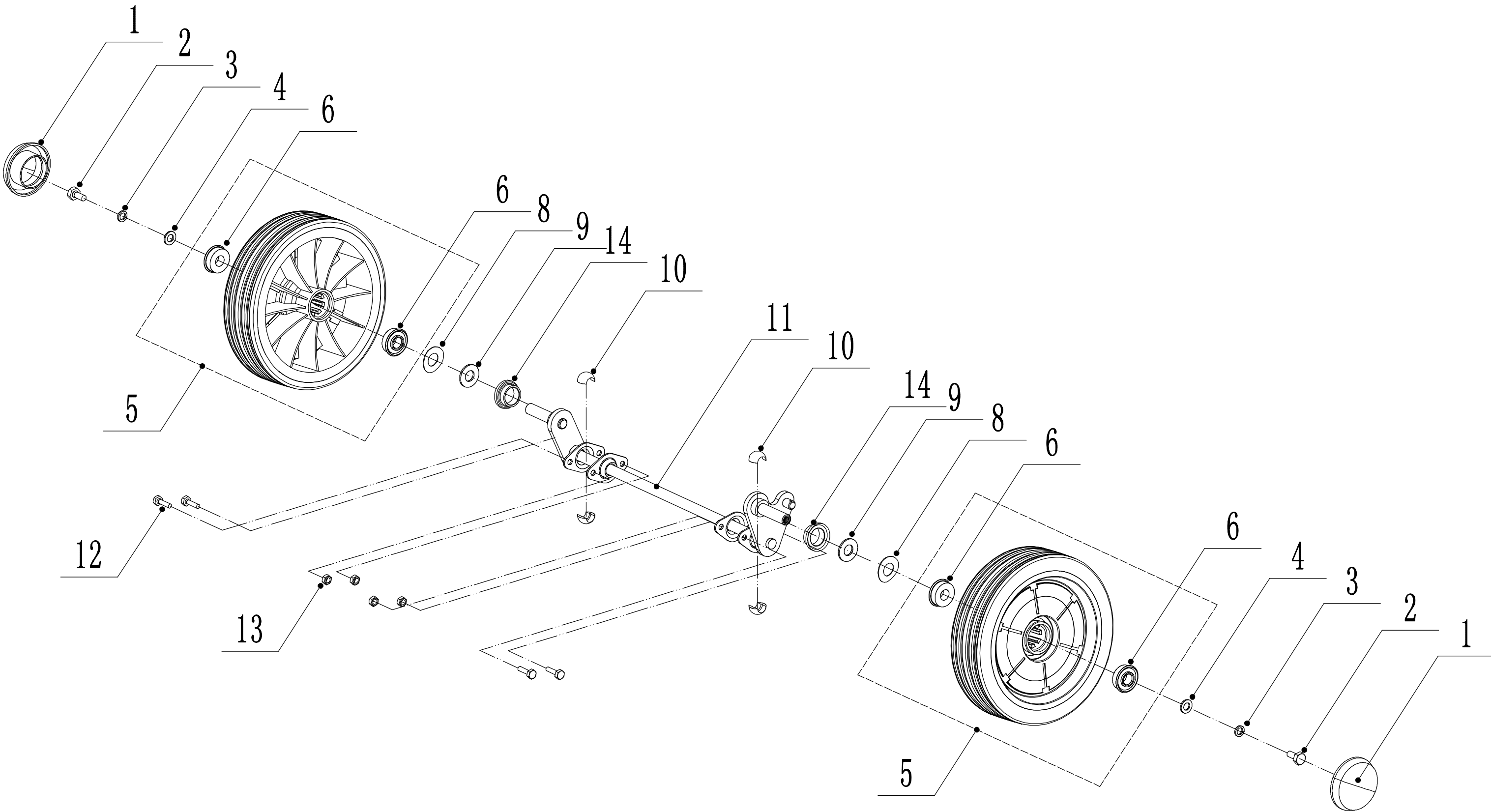
<b>main body</b>			
<b>n</b>	<b>art</b>	<b>name</b>	<b>qty</b>
1	U47PI-00001	Chassis	1
2	U455-00002	Bolt - M8x16	4
3	U455-00003	Screw - M5x12	4
4	U455-00004	Tooth Disc	2
5	U455-00005	AVS Bracket - R/H	1
6	U455-00006	Lock Nut - M5	4
7	U455-00007	Lock Nut - M8	4
8	U455-00008	AVS Bracket - L/H	1
9	U455-00009	Bolt - M6x12	10
10	U47TI-00002	Connector	1
11	U455-00011	Screw - M6x16	2
12	U47TI-00003	Graduator	1
13	U455-00013	Lock Nut - M6	10
14	U455-00021	Upper Bearing Bracket	2
15	U455-00022	Trailing Flap	1
16	U455-00023	Trailing Flap Pivot	1
17	U455-00026	Rear Cover Pivot	1
18	U455-00027	Rear Cover Spring	1
19	U455-00028	Rear Cover	1
20	U455-00029	Plain Washer - M10	2
21	U455-00030	Spring - Connecting Rod	1
22	U47TI-00005	Connecting Rod	1
23	U455-00032	Spring Clip	2
24	U455-00035	Spring Bracket	1

# Blade system



<b>blade system</b>			
<b>n</b>	<b>art</b>	<b>name</b>	<b>qty</b>
1	U47PI-00002		4
2	U537-00022	Engine Washer	4
3	U47TI-00007		4
4	U50I-00036	key	1
5	U47PI-00003	Blade Boss	1
6	U47TI-00010	Blade	1
7	U456-00038	Spring Washer	1
8	U47TI-00011	Blade Bolt	1

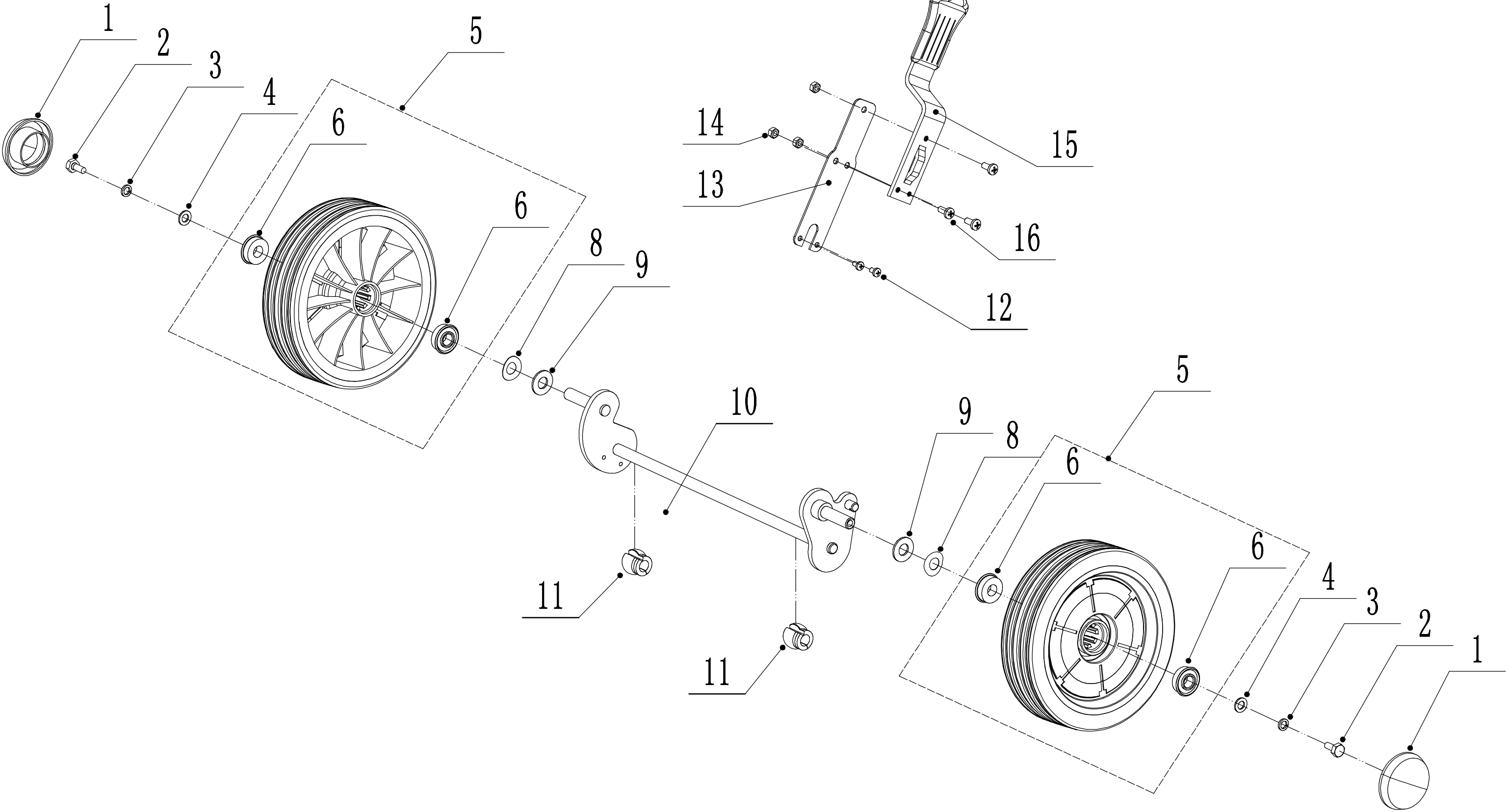
Front axle



<b>front axle</b>			
<b>n</b>	<b>art</b>	<b>name</b>	<b>qty</b>
1	U466-00012	Wheel Cap	2
2	U455-00052	Bolt - M8x15	2
3	U455-00053	Spring Washer - M8	2
4	U455-00054	Washer - M6	2
5	U466-00013	wheel	2
6	U455-00056	Bearing	4
8	U455-00057	Spring Washer - M12.7	2
9	U455-00058	Plain Washer - M12.7	2
10	U455-00059	Bearing Holder	4
11	U455-00126	Front Axle Welding	1
12	U455-00009	Bolt - M6x12	4
13	U455-00013	Lock Nut - M6	4
14	U47PI-00004	waterproof ring	2

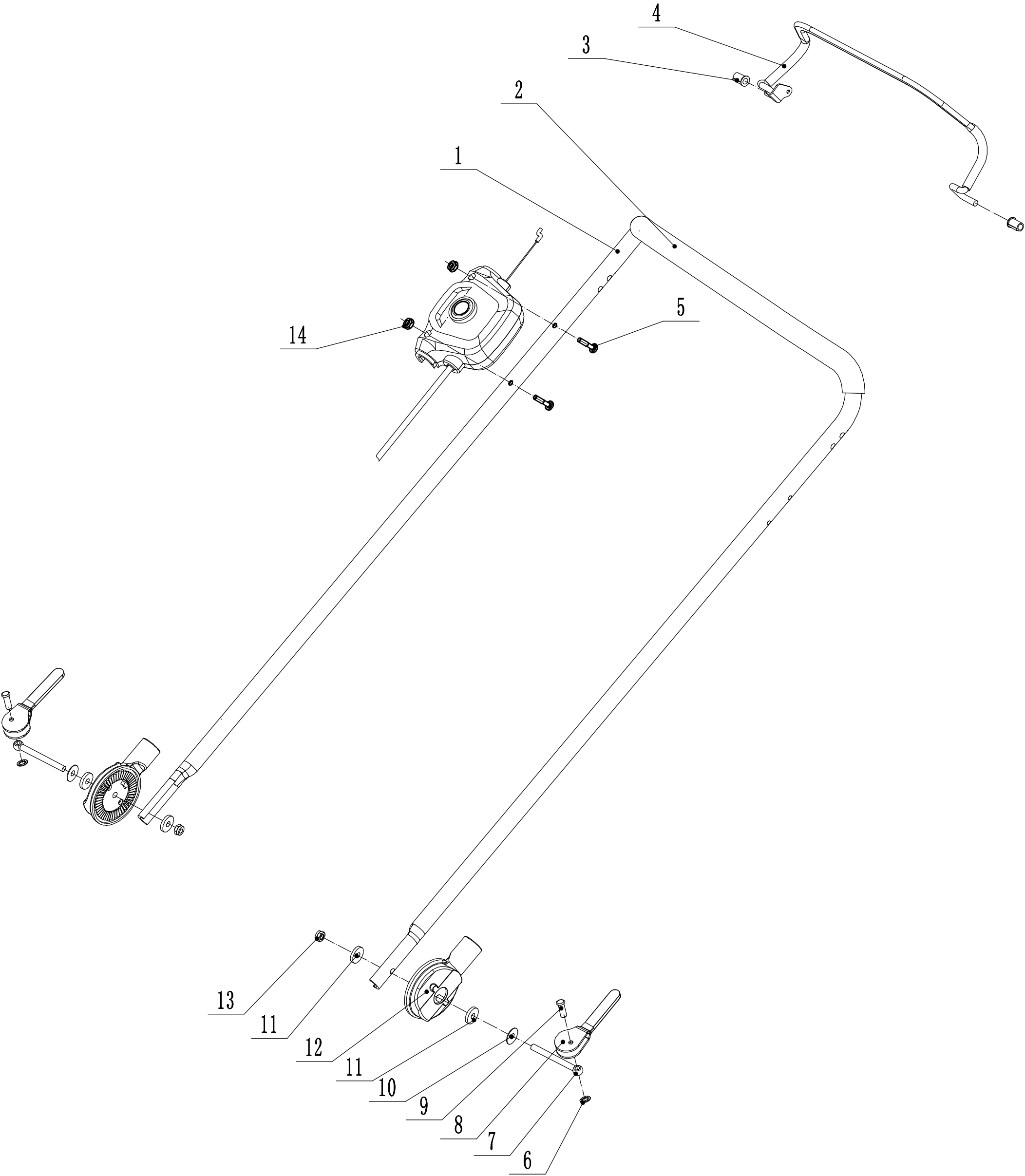


Rear axle



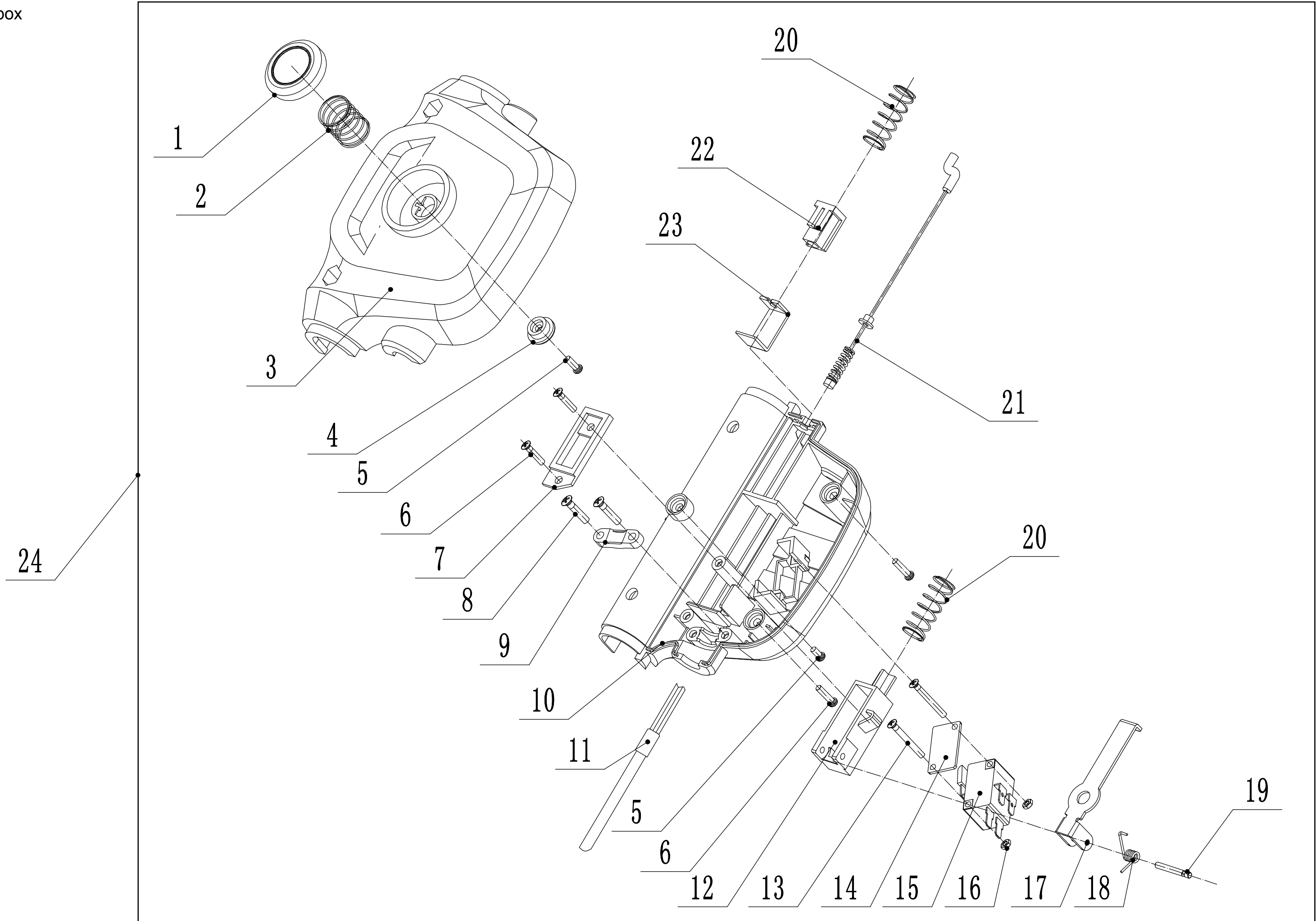
rear axle			
n	art	name	qty
1	U466-00012	Wheel Cap	2
2	U455-00052	Bolt - M8x15	2
3	U455-00053	Spring Washer - M8	2
4	U455-00061	Washer - M8	2
5	U47PI-00005	Wheel	2
6	U455-00056	Bearing	4
8	U455-00057	Spring Washer - M12.7	2
9	U455-00058	Plain Washer - M12.7	2
10	U455-00127	Rear Shaft Weldment	1
11	U455-00128	Bearing	2
12	U456-00007	Screw - M5x8	2
13	U47PI-00006	Spring Of Adjustment Lever	1
14	U455-00013	Lock Nut - M6	3
15	U47TI-00015	Adjustment Lever	1
16	U456-00008	Bolt - M6x14	3

Handle and controls



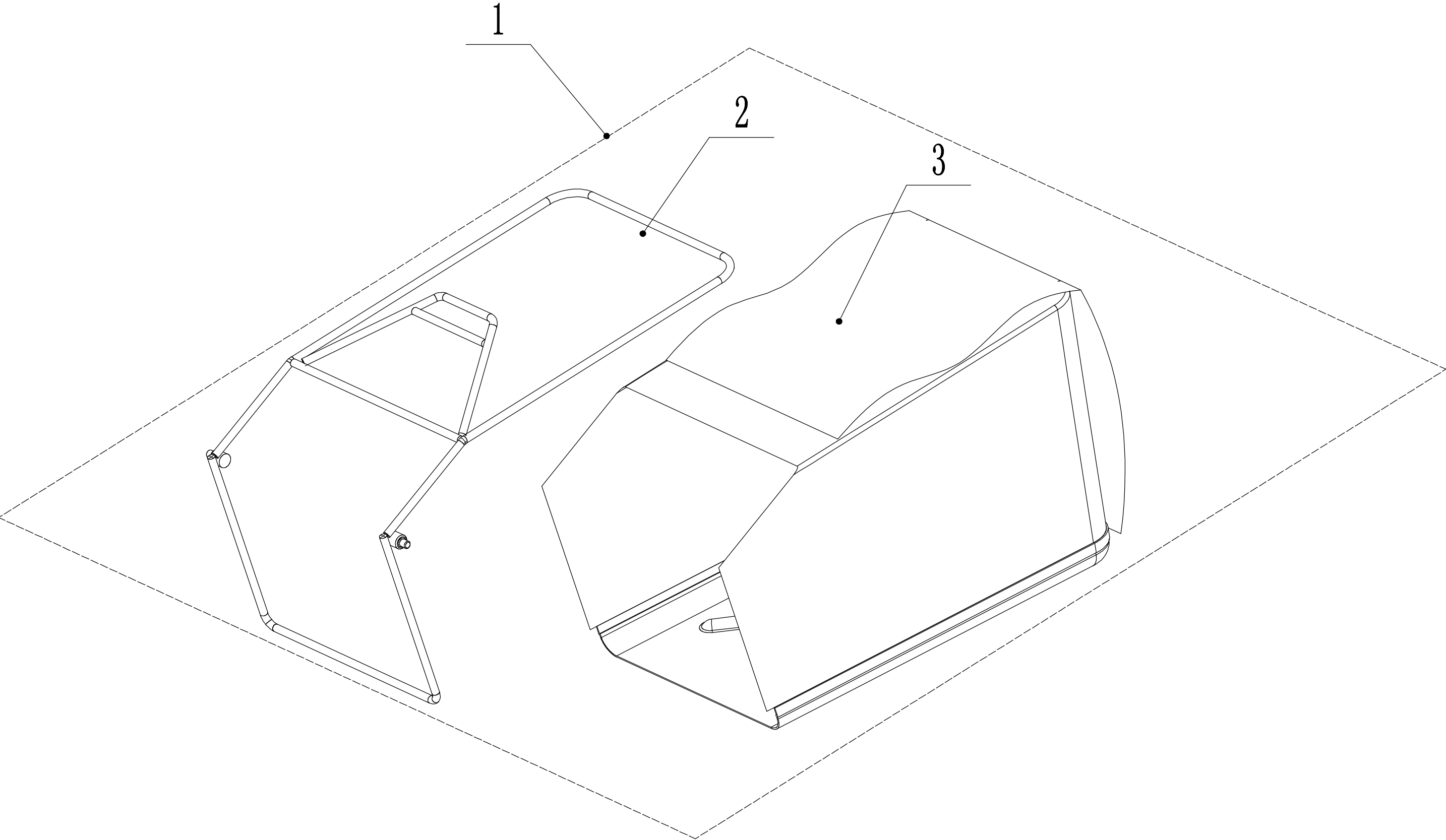
<b>handle and control</b>			
<b>n</b>	<b>art</b>	<b>name</b>	<b>qty</b>
1	U47PI-00007	Handle	1
2	U456-00011	Handle Sheath	1
3	U50I-00041		4
4	U50I-00043	OPC Lever	1
5	U455-00095	Screw - M6x40	2
6	U455-00100	Fix Cap	2
7	U455-00101	Connecting Bolt	2
8	U455-00102	Lock Lever	2
9	U455-00120	Axis Pin - 8x25	2
10	U455-00104	Spacer	2
11	U455-00105	Spacer	4
12	U455-00106	Tooth Disc Kit	2
13	UAE55-00062	Lock Nut-M8	2
14	U50I-00045		2

Switch box



<b>switch box</b>			
<b>n</b>	<b>art</b>	<b>name</b>	<b>qty</b>
1	U50I-00046	Switch button	1
2	U50I-00047	Spring1	1
3	U50I-00048	Upper cover	1
4	U50I-00049	Pressure sleeve	1
5	U50I-00050	Screw - PT3*12	1
6	UR810-00051	Screw - PT3*16	4
7	U50I-00051	Limit block	1
8	U50I-00018	Screw - PT3.5*15	2
9	U50I-00010	Pressing block	1
10	U50I-00054	Lower cover	1
11	U50I-00055	Wire harness	1
12	U50I-00056	Trigger block	1
13	U50I-00057	Screw - M3*28	2
14	ZT107-0104	Pressure plate	1
15	U50I-00058	Micro Switch	1
16	UR200-00079	Bolt - M3	2
17	U50I-00059	Crook 1	1
18	U50I-00060	Spring	1
19	U50I-00061	Pin	1
20	U50I-00062	Spring2	2
21	U50I-00063	Cable	1
22	U50I-00064	Spring block	1
23	U50I-00065	Crook 2	1
24	U50I-00066	Switch box	1

Grass catcher



<b>grasscatcher</b>			
<b>n</b>	<b>art</b>	<b>name</b>	<b>qty</b>
2	U455-00108	Frame - Grass Ba	1
3	U455-00121	Grass Bag	1